



TARPING SYSTEMS & ACCESSORIES

P/N 1125033 Rev. A

OWNER'S MANUAL



Open-Top Van 3" Aluminum Roll Tube

READ BEFORE INSTALLING

PO BOX 713 ■ 2309 SHUR-LOK STREET ■ YANKTON, SD 57078-0713
PHONE 1-800-4-SHUR-LOK (1-800-474-8756) ■ FAX 605-665-0501
www.shurco.com

SHOP ONLINE: www.shopshurco.com

SHIPPING. Orders are shipped F.O.B. from the Shur-Co®, LLC sites listed below. No full freight is allowed or prepaid shipment accepted unless quoted and approved in writing prior to acceptance of the order. All shipments are made by the most reasonable means in accordance with size and weight of order, unless specified routing instructions are furnished by the customer. Shipments are made daily via U.P.S. and common carrier. Claims for shortages must be made within 10 days. All claims for damages or loss in transit must be made with the carrier. No collect calls will be accepted. To ensure delivery of orders, we need your full street address and phone number. When you receive your shipment, examine it carefully. Be sure all cartons listed on the delivery sheet are accounted for. Large items may be packaged separately. If a carton is damaged, open it and inspect the contents before signing for delivery. If merchandise is damaged, describe damage on the delivery receipt. Failure on your part to document damaged or missing merchandise on the delivery receipt releases the carrier of all liability; repair or replacement will be the customer's responsibility.

WARRANTY. We warrant all new products are free of defects in materials and workmanship.* This warranty is effective if products are properly installed and used for the purpose for which they were intended and applies to the original buyer only. Except as set forth above or in any product-specific warranty documentation, we make no other warranties, express or implied, including but not limited to warranties of merchantability of fitness for a particular use.

Returns of a product for warranty must be accompanied by a Return Merchandise Authorization number (RMA#), obtained by calling Customer Service at 866-748-7435, and sent, with freight paid by us, to Shur-Co®, LLC, 2309 Shur-Lok St., PO Box 713, Yankton, SD 57078. All products returned without an RMA# will be refused. When we issue the RMA#, we will also issue a call tag to have UPS (or other freight company) pick up the product. C.O.D. returns not accepted. We will pay no storage fees for a warranty product return prior to pick by us or the freight company. If a warranty product return is scheduled to be picked up by us, we will pick up the product at our earliest convenience.

If a product returned is found, in our judgement, to be defective in material or workmanship, our obligation under this warranty is limited to the repair or replacement of the product, which will be made by us. Repair or replacement will be at our discretion, with replacements being made using current products performing in the equivalent function. Labor charges, other than those incurred at our factory, including, but not limited to, any labor to install a repaired or replacement product, are not covered under this warranty. All expenses associated with delivering defective products to our factory and delivering repaired or replacement products from our factory to the owner will be paid by us.

If the product returned is found, in our judgement, to be non-warrantable, the owner will be contacted to authorize repair work, purchase of a replacement product or return of the product, all of which will be at the owner's expense. Payment authorization must be received by us before any non-warrantable product is repaired, replaced or returned. All expenses associated with delivering the repaired non-warrantable product, a replacement product or the non-warrantable product from our factory to the owner will be paid by the owner.

In no event will we be liable for any damages of any kind to person, product or property, including but not limited to indirect, incidental, special, consequential or punitive damages, or damages for loss of profits or revenue, even if we have been advised of the possibility of such damages. There are no warranties for used products or products that have been repaired, altered, modified or subjected to misuse, negligence or accident. We will not repair or replace products that fail or malfunction due to ordinary wear and tear, except as expressly noted in a product-specific warranty. Use of non-Shur-Co®, LLC parts in conjunction with Shur-Co®, LLC products will void this product warranty.

*Certain products have specific warranties that differ from this warranty, for example motors and electronics. Product-specific warranty documentation is available for these items. In the event of a conflict between this warranty and a product-specific warranty, the product-specific warranty will govern.

RETURN POLICY. All sales final. See WARRANTY above for return details.

OTHER. All prices, product listings, sizes, weights and manufacturing details are subject to change without notice. No person is authorized to modify the foregoing conditions of sale whatsoever.

SHUR-CO®, LLC SERVICE AND DISTRIBUTION CENTERS

Corporate HQ and Outlet Store

SHUR-CO® of SOUTH DAKOTA

2309 Shur-Lok St., PO Box 713
Yankton, SD 57078-0713
Ph 800.474.8756 | Fax 605.665.0501

ShurTite™ Service Centers

SHUR-CO® of CANADA

490 Elgin St., Unit #1
Brantford, Ontario N3S 7P8
Ph 800.265.0823 | Fax 519.751.3997

SHUR-CO® of SIOUX FALLS

47184 258th St., Suite B
Sioux Falls, SD 57107
Ph 844.573.9322 | Fax 605.543.5469

SHUR-CO® of COLORADO

10220 Brighton Rd., Unit #1
Henderson, CO 80640
Ph 866.355.9173 | Fax 303.289.2298

SHUR-CO® of FLORIDA

3353 SE Gran Park Way
Stuart, FL 34997
Ph 800.327.8287 | Fax 772.287.0431

SHUR-CO® of ILLINOIS

3993 E. Mueller Ave.
Decatur, IL 62526
Ph 866.356.0246 | Fax 217.877.8270

SHUR-CO® of IOWA

3839 Midway Blvd.
Ft. Dodge, IA 50501
Ph 866.356.0245 | Fax 515.576.5578

SHUR-CO® of MICHIGAN

5100 Lakeshore Dr.
Lexington, MI 48450
Ph 800.327.8287 | Fax 772.287.0431

SHUR-CO® of NORTH DAKOTA

1746 4th Ave. NW, Unit A
West Fargo, ND 58078
Ph 877.868.4488 | Fax 701.277.1283

SHUR-CO® of OHIO

1100 N. Freedom, St. Rt. 88 & 14
Ravenna, OH 44266
Ph 866.356.0242 | Fax 330.297.5599

SHUR-CO® of OKLAHOMA

1604 East US Hwy 66
El Reno, OK 73036
Ph 866.356.0243 | Fax 405.262.3842

SHUR-CO® of TEXAS

34505 I-10 West, S. Frontage Rd.
Brookshire, TX 77423
Ph 866.689.0039 | Fax 281.934.3311

SHUR-CO® UK, Ltd.


Unit 41 Rochester Airport Estates
Laker Rd., Rochester, Kent ME1 3QX
Ph +44 (0)1795.473499
Fax +44 (0)871.272.8278

For more information, log on to our website:

www.shurco.com

MESSAGE TO OWNERS

Thank you for buying this tarping system from Shur-Co®. We appreciate your confidence in our products. Please read and thoroughly understand this manual before installing and/or operating this system.

Pay particular attention to important safety and operating instructions, as well as warnings and cautions. The hazard symbol  is used to alert users to potentially hazardous conditions and is followed by caution, warning or danger messages.

Failure to READ AND FOLLOW INSTRUCTIONS could result in failure of your tarping system and/or personal injury. Your trailer requirements may, however, call for minor variations to these instructions.

Please inspect your tarping system periodically and repair or replace worn or damaged parts.

QUESTIONS? CALL OUR HELP LINE:
1-866-748-7435
 MON-FRI 8 AM-5 PM CENTRAL TIME

SAFETY

We at Shur-Co® are concerned with your safety and the safety of all those operating this system. Therefore, we have provided safety decals at various locations on your tarping system. Keep decals as clean as possible at all times. Replace any decal that has become worn or damaged, painted over or otherwise difficult to read. Replacement decals are available through Shur-Co® dealers.

SAFETY INSTRUCTIONS

- 1. Always wear safety glasses during installation and operation.**
- 2. Keep body and clothing clear of moving parts.**
- 3. Hold crank firmly with both hands while opening and closing tarp.**
- 4. Place safety decals in visible locations. Replace worn or damaged decals.**
- 5. No other use of this system is authorized, except as designed.**

RUST PREVENTION

To prevent rust, paint all exposed metal, such as weld seams and/or metal exposed by grinding or cutting, with corrosion-resistant paint.

TABLE OF CONTENTS

- Hardware 1
- Box Preparation..... 1
- End Caps - Stainless Steel & Aluminum..... 2
- End Caps - Aluminum Easy-Off..... 3
- End Caps - Fabric..... 4-5
- End Caps - Galvanized Steel 6
- Bows - Standard Steel..... 7
- Bows - Adjustable..... 8
- Bows - Heavy-Duty..... 9
- Bows - Durabow™..... 10
- Bows - Aluminum..... 11
- Ridge Straps - 1-Inch..... 12
- Ridge Straps - 2-Inch..... 13
- Ridge Straps - Metal Caps w/Hook 14
- Ridge Straps - Fabric Caps w/Hook 15
- Tarp Inspection & Fixed Tube..... 16
- Roll Tube & U-Clamps..... 17-18
- Tarp Stops - Easy-Off..... 19
- Latchplates..... 20
- Returns - Shur-Return™..... 21
- Returns - Front Roll 3"..... 22
- Shock Cords & Rope Anchors (Fabric Caps)..... 23
- Poorboy Tail Option..... 24
- Cranks - Standard..... 25
- Cranks - Shur-Flex™..... 26
- Crank Retainers - Standard..... 27
- Rear Cable Return Option..... 28
- Tarp Tension Adjustment..... 29
- Crank Safety..... 29
- Replacement Parts..... 30-38
- Options & Upgrades..... 39
- Operation & Maintenance..... 39

TOOLS REQUIRED

1. Aluminum Welder
2. Steel Welder
3. Hammer
4. #2 Phillips Screw Driver Bit
5. #3 Phillips Screw Driver Bit
6. Air or Electric Impact Wrench w/9/16" Socket
7. 9/16" Combination Wrench
8. 13/32" Drill (for Std. 3/8" Bolts)
9. 11/32" Drill Bit (for Roll Return Eye Bolts)
10. 3/16" Drill Bit (for Stretch Cords)
11. 5/16" Drill Bit (for 3/8" Self-Tapping Screws & Snap Ring)
12. 3/8" Drill Bit (for Regular 3/8" Hex Bolts)
13. C-Clamps
14. 1/4" Drill Bit (for 5/16" Self-Tapping Screws & 1/4" Rivet Drive)
15. 13/64" Drill Bit (for Box Hooks)

NOTE: Throughout this manual, where 3/8" x 1" self-tapping screws **A** are used with lock washers **V** and nuts **B**, use washers and nuts, if possible, and drill 13/32" holes. Self-tapping screws used without washers and nuts require a minimum wall thickness of 3/16". Drill 5/16" holes.

A



1701423 - Set Screw - #10 x 3/16"

B



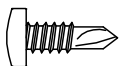
1704743 - Self-Drilling Screw - #10 x 1/2"

C



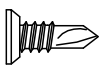
1700736 - Self-Tapping Screw - 1/4" x 1/2"

D



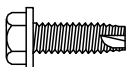
1700398 - Self-Drilling Screw - 1/4" x 3/4"

E



1704768 - Self-Drilling Screw - 1/4" x 3/4"

F



1700403 - Self-Tapping Screw - 1/4" x 3/4"

G



1701059 - Self-Tapping Screw - 5/16" x 1"

H



1700400 - Self-Tapping Screw - 3/8" x 1"

J



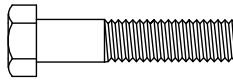
1702522 - Carriage Bolt - 3/8" x 1"

K



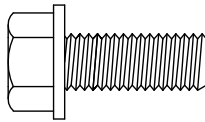
1703579 - SS Cap Screw - 3/8" x 1"

L



1700369 - Cap Screw - 3/8" x 1 3/4"

M



1702996 - Cap Screw - 1/2" x 1 1/4"

N



1701543 - Nylon Lock Nut - 1/4"

O



1700411 - Hex Nut - 5/16"

P



1700419 - Nylon Lock Nut - 5/16"

Q



1200999 - SS Hex Nut - 3/8"

R



1700407 - Hex Nut - 3/8"

S



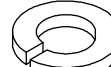
1700418 - Centerlock Nut - 3/8"

T



1700427 - Flat Washer - 1/4"

U



1703576 - SS Lock Washer - 3/8"

V



1700434 - Lock Washer - 3/8"

W



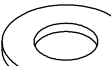
1703577 - SS Flat Washer - 3/8"

X



1703373 - Flat Washer - 1/2"

Y



1701176 - Flat Washer - 3/8"

Z



1700717 - Eyebolt - 5/16"

TARP INSPECTION

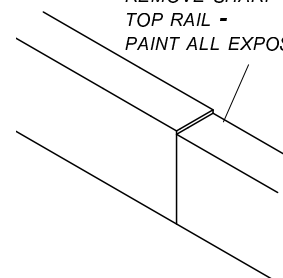
Tarp length: Determine tarp length with slight tension applied. Compare actual tarp length with length stated on sheet attached to tarp. If tarp length does not match length on sheet, do not proceed. Call your local dealer, or call Shur-Co® Customer Service at 1-866-748-7435.

BOX PREPARATION

Before installing your Shur-Lok® tarping system, remove or grind any sharp edges smooth to prevent tarp damage.

To prevent rust, paint all exposed metal, such as weld seams and/or metal exposed by grinding or cutting, with corrosion-resistant paint.

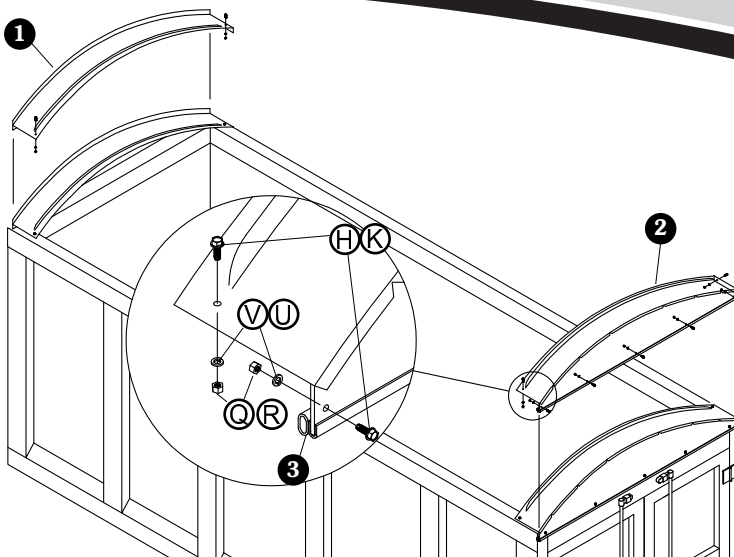
REMOVE SHARP EDGES ON TOP RAIL - PAINT ALL EXPOSED METAL



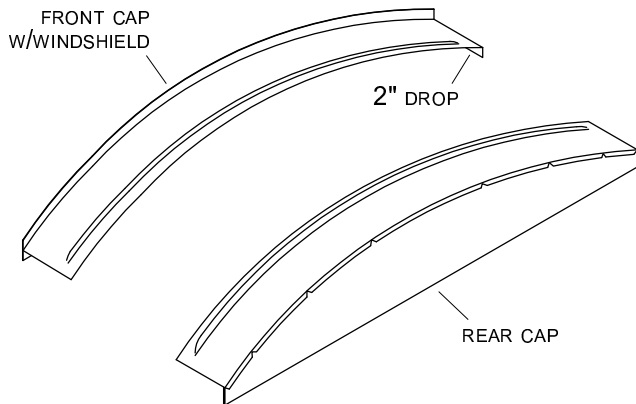
CAUTION

Box extensions (tip-tops) must be secured to the truck box, if used. System could blow off if box extensions are not secured to box.

Item	Part #	Description
1.	_____	Aluminum Front Cap
	_____	Stainless Steel Front Cap
2.	_____	Aluminum Back Cap
	_____	Stainless Steel Back Cap
3.	1100165	Trim Seal
H.	1700400	Self-Tapping Screw - 3/8" x 1"
K.	1703579	Stainless Cap Screw - 3/8" x 1"
Q.	1200999	Stainless Hex Nut - 3/8"
R.	1700407	Hex Nut - 3/8"
V.	1700434	Lock Washer - 3/8"
U.	1703576	Stainless Lock Washer - 3/8"

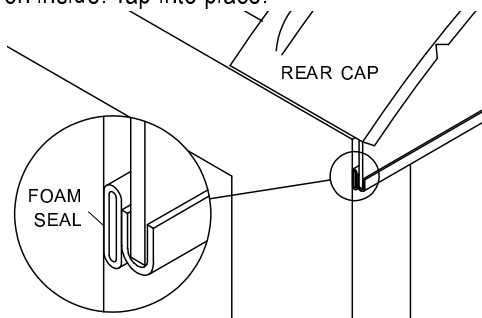


STEP 1: Modify caps to fit. Place front cap with windshield on front of box. Place rear cap on rear of box. Modify caps to fit your box, if required.



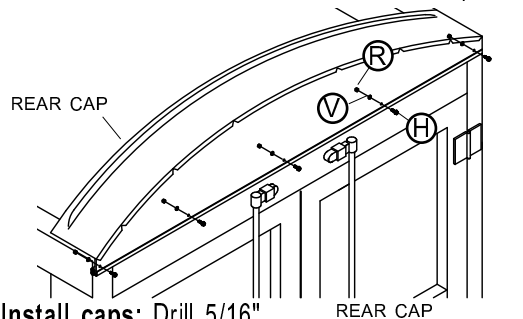
NOTE: To install your tarp to open from the passenger side of the trailer (reverse roll), remove the 2" drop on the passenger side of caps prior to installation.

STEP 2: Trim seal. Apply trim seal to caps, placing foam seal on inside. Tap into place.

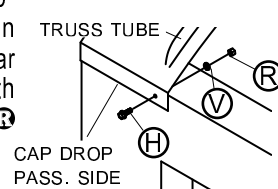


NOTE: In steps 3 to 5 for stainless steel end caps, drill 13/32" holes and fasten with screws (K), lock washers (U) and nuts (Q).

STEP 3: Evenly space five screws across face of cap. Mark and drill 5/16" (13/32") holes, and fasten with screws (K). Use lock washers (U) and nuts (Q) where possible.

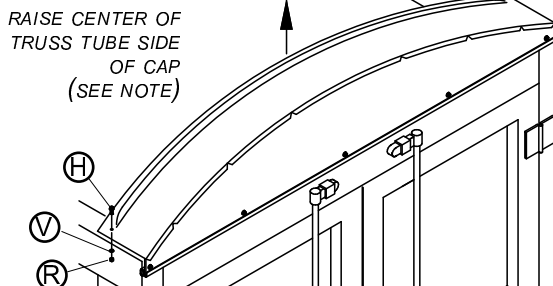


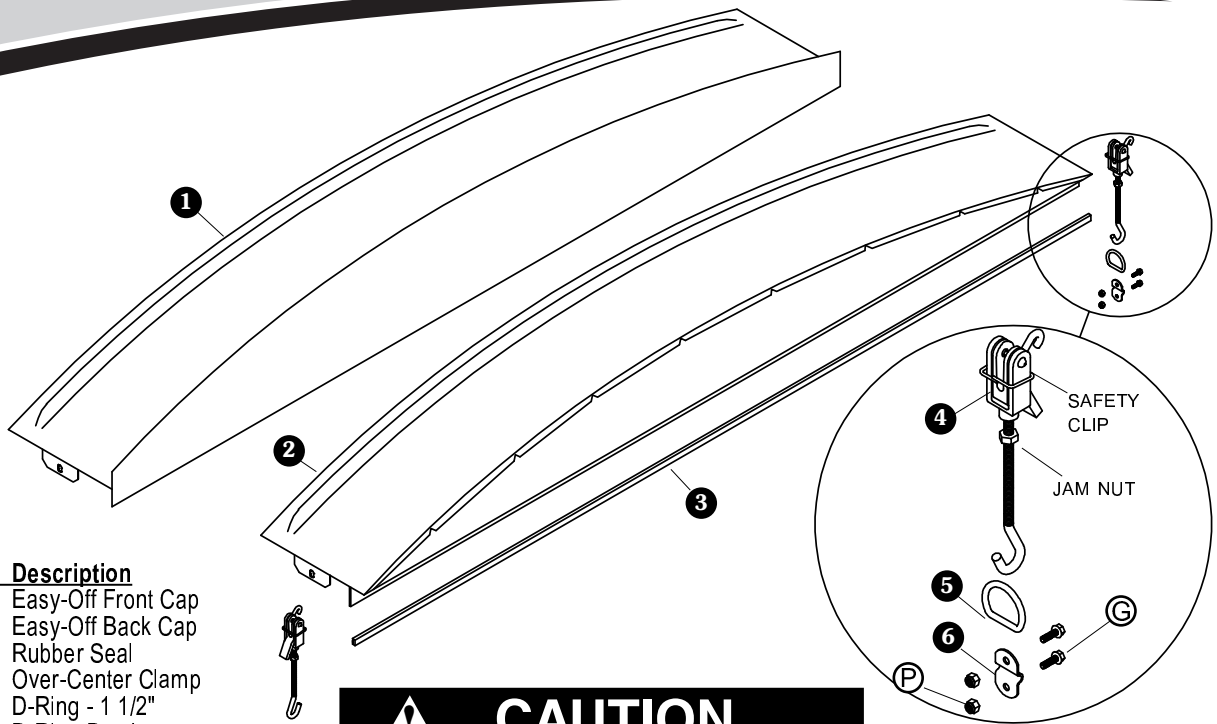
STEP 4: Install caps: Drill 5/16" (13/32") hole and fasten screw (K) on cap drop near truss tube. Secure with lock washer (U) and nut (Q) where possible.



NOTE: For optimal water run-off and tarp support, make sure end caps are level before fastening sides of caps to box. While fastening sides of caps to box, raise center of truss tube side of cap to be level with or slightly higher than outside edge.

STEP 5: Drill 5/16" (13/32") hole as close as possible to truss tube on driver side of cap. Fasten cap to rail with screw (K). Use lock washer (U) and nut (Q) where possible.





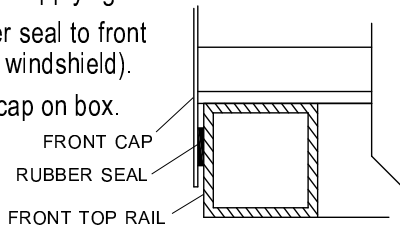
Item	Part #	Description
1.	_____	Easy-Off Front Cap
2.	_____	Easy-Off Back Cap
3.	1701115	Rubber Seal
4.	1701113	Over-Center Clamp
5.	1701218	D-Ring - 1 1/2"
6.	1701114	D-Ring Bracket
G.	1701059	Self-Tapping Screw - 5/16" x 1"
P.	1700419	Nylon Lock Nut - 5/16"

CAUTION
Do not drive vehicle without safety clips secured around clamps.

STEP 1: Deburr rough edges on truck and clean area thoroughly before applying rubber seal.

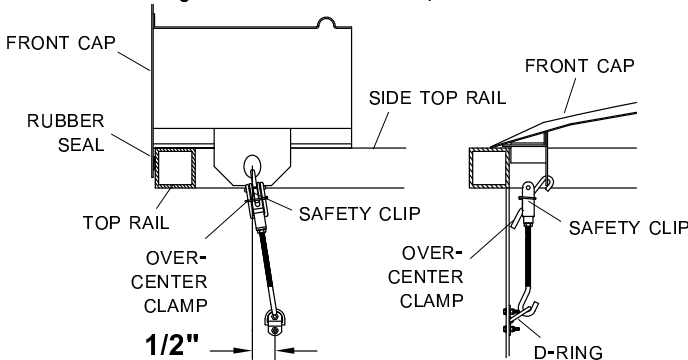
STEP 2: Apply rubber seal to front cap (with 2" windshield).

STEP 3: Place front cap on box.



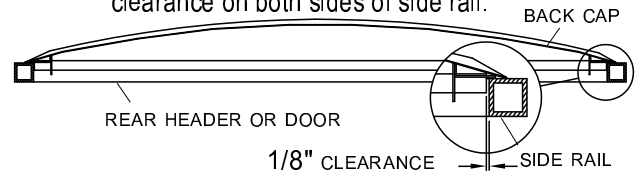
NOTE: Do not apply rubber seal in temperatures below 60°F or above 100°F or adhesive may fail. Apply seal without stretching.

STEP 4: Locate clamps in area free from obstructions. Offset D-ring 1/2" from center of cap.



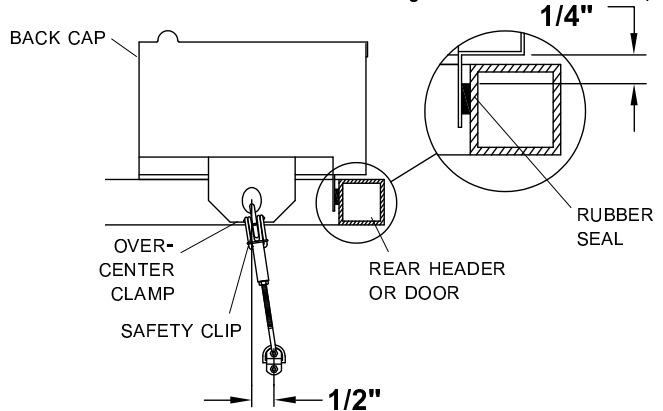
STEP 5: Mark and drill 1/4" holes. Fasten D-ring plates to box with screws G and nuts P. Tighten jam nut against clamp body and position safety clip.

STEP 6: Place rear cap on box. Notch inside drop to allow 1/8" clearance on both sides of side rail.



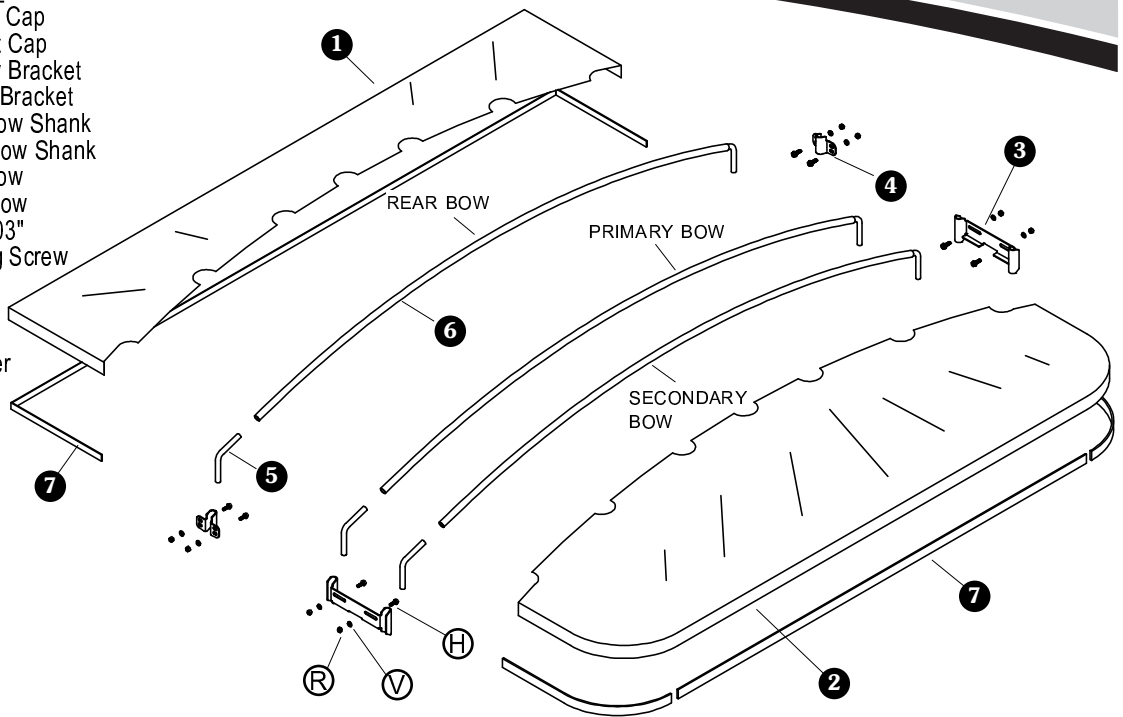
STEP 7: Remove cap and apply rubber seal 1/4" down from flat portion of cap above drop.

STEP 8: Replace cap, locate over-center clamps in area free from obstructions and offset D-ring 1/2" from center of cap.



STEP 9: Mark and drill 1/4" holes. Fasten D-ring plate to box with screws G and nuts P. Tighten jam nut against clamp body and position safety clip.

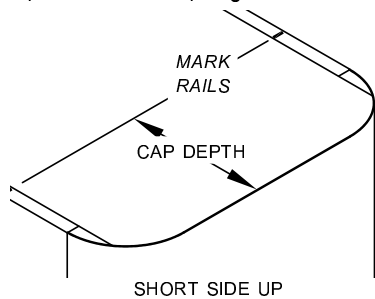
Item Part #	Description
1. _____	Fabric Back Cap
2. _____	Fabric Front Cap
3. 1108211	Double Bow Bracket
4. 1120836	Single Bow Bracket
5. 1100695	Low-Rise Bow Shank
1106925	High-Rise Bow Shank
6. 1100760	Low-Rise Bow
1100762	High-Rise Bow
7. 1700581	Flat Bar - 103"
H. 1700400	Self-Tapping Screw - 3/8" x 1"
R. 1700407	Hex Nut - 3/8"
V. 1700434	Lock Washer - 3/8"



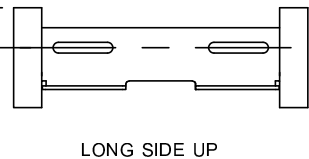
FRONT CAP

STEP 1: Measuring from front of box, mark cap depth on both top rails per cap depth listed on cap tag.

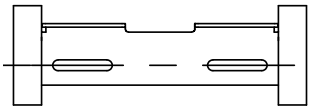
NOTE: If fabric cap depth does not match cap depth listed on cap tag, do not proceed. Contact Shur-Co® for further instructions.



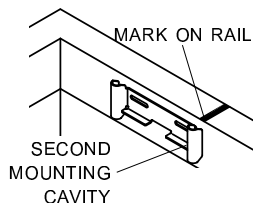
STEP 2: 1 1/2" to 3" wide rails. Position double bow brackets with short side up.



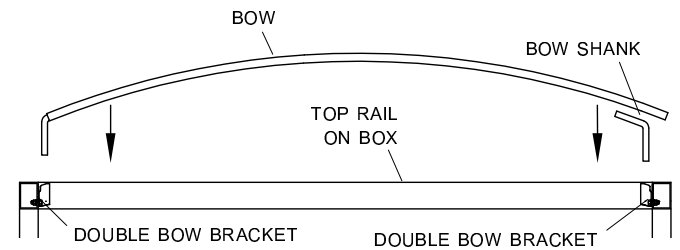
3" to 6" wide rails. Position double bow brackets with long side up.



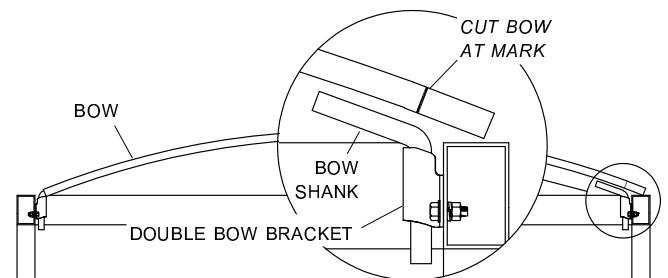
STEP 3: Position double bow brackets on rails with second mounting cavities centered on marks. Clamp brackets to rails.



STEP 4: Place bow into bow bracket. Place loose bow shank in opposite bow bracket.

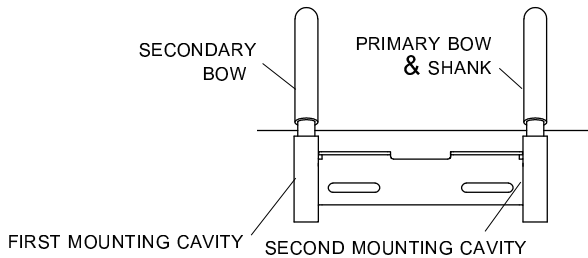


STEP 5: Align bow with bow shank. Mark bow at point where bend starts on shank. Cut both bows to this length.

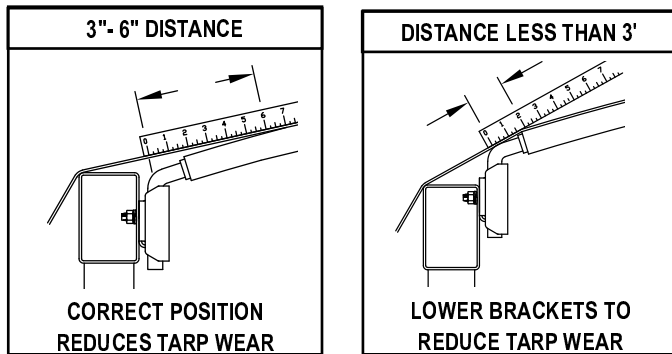


NOTE: Cut bows to exact length. If bows are too short and not welded to shank, pressure from tarp will flatten arch in bow.

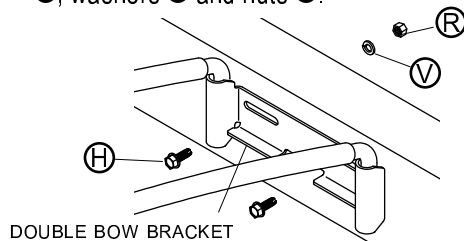
STEP 6: Weld bow shank into secondary bow, leaving primary bow and shank unwelded. Insert secondary bow into first mounting cavities in bow brackets and primary bow and shank into second mounting cavities.



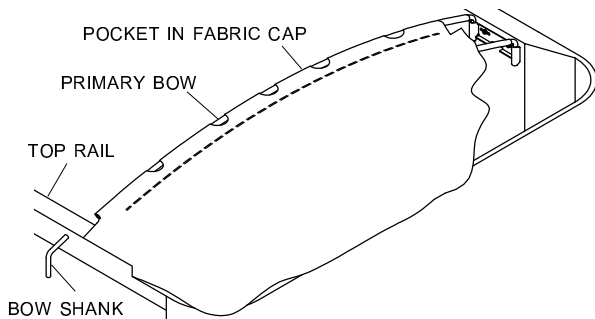
STEP 7: Adjust bow brackets vertically to allow 3" to 6" between bend in bow shank and point where tarp will contact bow.



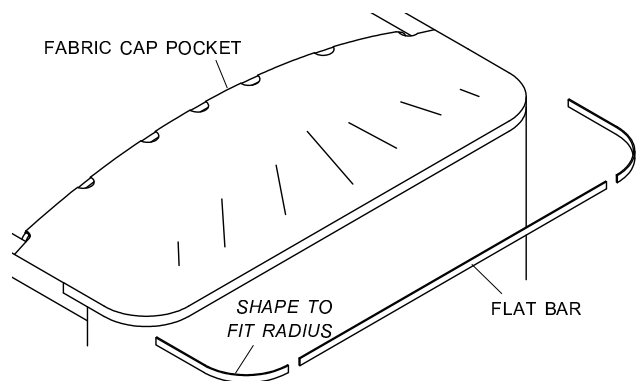
STEP 8: Mark and drill 5/16" holes. Mount brackets with screws (H), washers (V) and nuts (R).



STEP 9: Remove primary bow shank from bow bracket and bow. Install fabric cap onto bow. Replace shank into bow and bow bracket. Allow front and sides of fabric cap to hang over edges of top rail on front of box.



STEP 10: Cut aluminum flat bar sections 1/2" shorter than pocket lengths. Insert sections into fabric cap pocket. Shape to fit corner radius, if required.



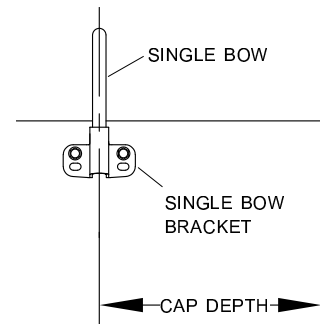
TIPS: Use one piece across straight portion on front of cap. Side and radius may be one piece. Use as few pieces as possible. Supply even tension over fabric cap for secure and clean fit.

NOTE: Shock cords and rope anchors will be installed after tarp and latchplate. DO NOT install at this time.

REAR CAP

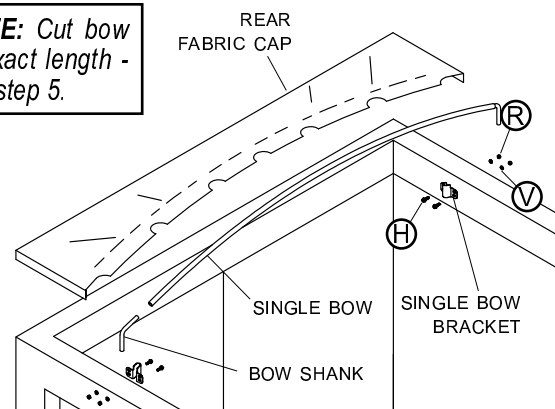
STEP 11: Install rear fabric cap at rear of box. Follow steps 1 to 10 for front caps, except install single bow bracket and single bow instead of double bow bracket and double bows.

NOTE: Install single bow bracket in same orientation as double bow bracket used on front cap.



STEP 12: Install rear fabric cap in same way front cap was installed, using single bow brackets and one bow. Do not weld loose bow shank to bow.

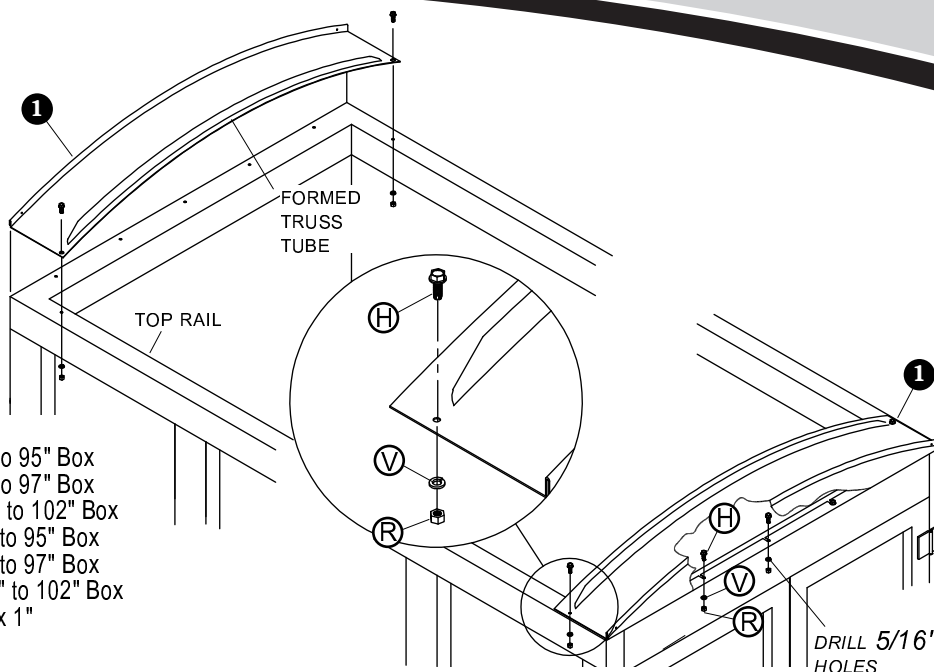
NOTE: Cut bow to exact length - see step 5.



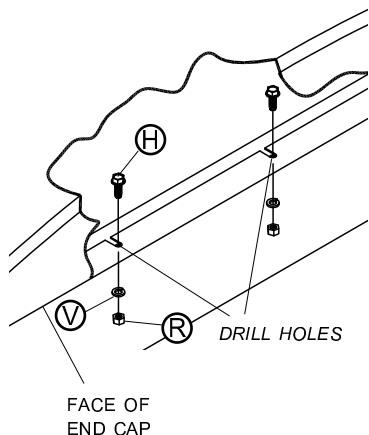
NOTE: End caps supplied with kit may need slight modifications to fit box.

TIP: Seal cap to top rail with bead of caulk or apply rubber seal to improve watertightness.

Item	Part #	Description
1.	1108977	Galv. Low-Rise Cap - 94" to 95" Box
	1108980	Galv. Low-Rise Cap - 96" to 97" Box
	1108983	Galv. Low-Rise Cap - 101" to 102" Box
	1108986	Galv. High-Rise Cap - 94" to 95" Box
	1108989	Galv. High-Rise Cap - 96" to 97" Box
	1108992	Galv. High-Rise Cap - 101" to 102" Box
H.	1700400	Self-Tapping Screw - 3/8" x 1"
R.	1700407	Hex Nut - 3/8"
V.	1700434	Lock Washer - 3/8"



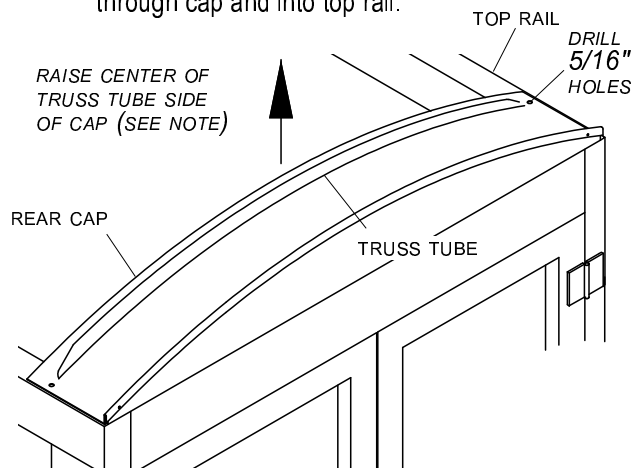
STEP 1: Center end cap on box and mark hole locations on top rail according to slots in cap.



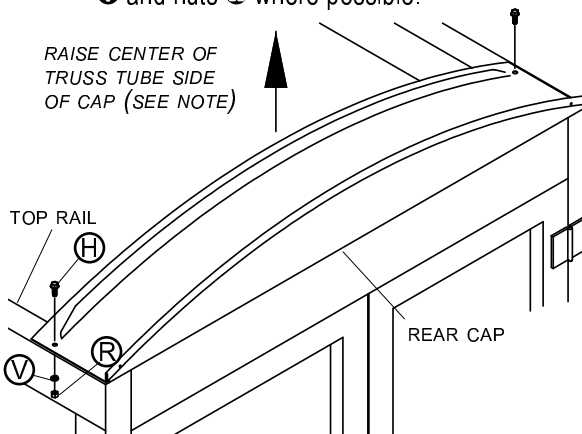
STEP 2: Drill 5/16" holes into marked locations on top rail. Fasten with screws ①. Use lock washers ② and nuts ③ where possible.

NOTE: For optimal water run-off and tarp support, make sure end caps are level before fastening sides of caps to box. While fastening sides of caps to box, raise center of truss tube side of cap to be level with or slightly higher than outside edge.

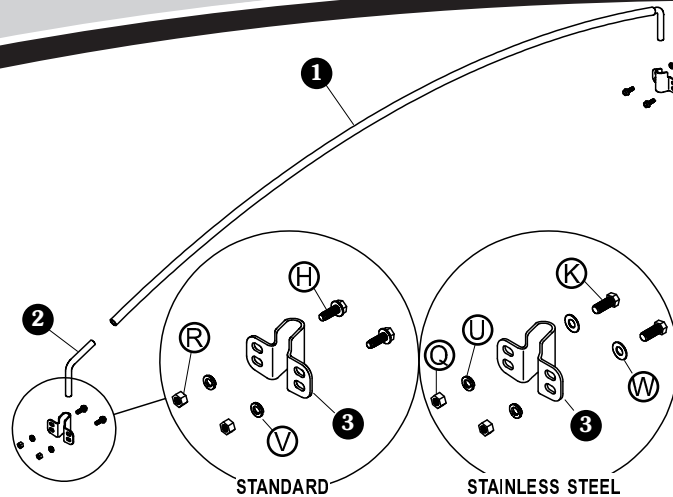
STEP 3: Drill two 5/16" holes as close as possible to truss tube, through cap and into top rail.



STEP 4: Fasten cap to top rail with screws ①. Use lock washers ② and nuts ③ where possible.



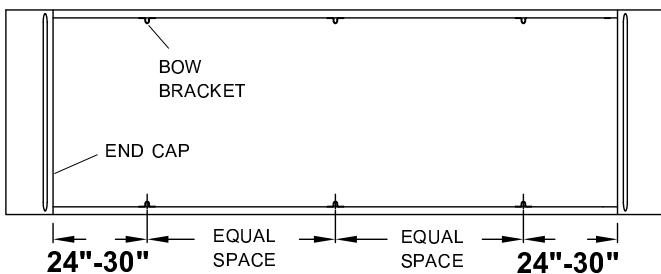
Box Length	Bow Qty.
10'-14'	2
15'-18'	3
19'-22'	4
23'-26'	5
27'-30'	6
31'-34'	7
35'-38'	8
39'-43'	9
44'-46'	10
47'-50'	11
51'-54'	12



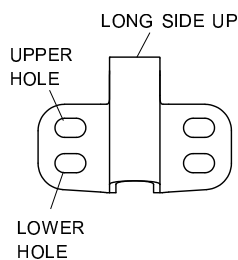
Item	Part #	Description
1.	*	Standard & SS Low Rise Bow
	*	Standard & SS High Rise Bow
	1109149	Standard Flat Bow
2.	1100695	Standard Low-Rise Bow Shank
	1119766	Stainless Low-Rise Bow Shank
	1106925	Standard High-Rise Bow Shank
	1116754	Stainless High-Rise Bow Shank
	1109150	Standard Flat Bow Shank
3.	1120836	Single Bow Bracket
	1120975	Stainless Single Bow Bracket
H.	1700400	Self-Tapping Screw - 3/8" x 1"
K.	1703579	Stainless Cap Screw - 3/8" x 1"
Q.	1200999	Stainless Hex Nut - 3/8"
R.	1700407	Hex Nut - 3/8"
U.	1703576	Stainless Lock Washer - 3/8"
V.	1700434	Lock Washer - 3/8"
W.	1703577	Stainless Flat Washer - 3/8"

NOTE: Bows are not designed for use as structural or side wall support.

STEP 1: Mark bow bracket locations on top rails between end caps as shown, aligning brackets on opposite sides of box.

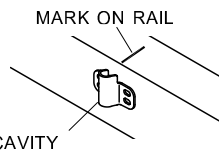


STEP 2: 1 1/2"- 3" Wide rails. Position single bow brackets with long side up and fasten through upper holes.

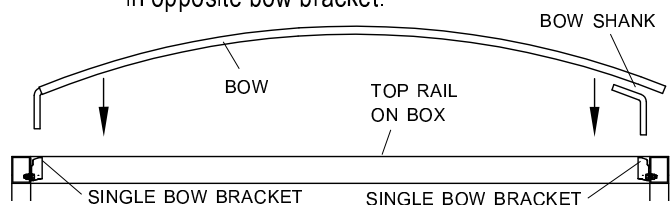


3"-6" Wide rails. Position single bow brackets with long side up and fasten through lower holes.

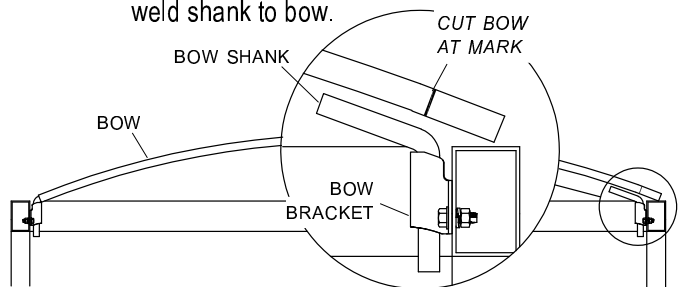
STEP 3: Align center of brackets with mark. Clamp brackets to rails.



STEP 4: Place bow into bow bracket. Place loose bow shank in opposite bow bracket.

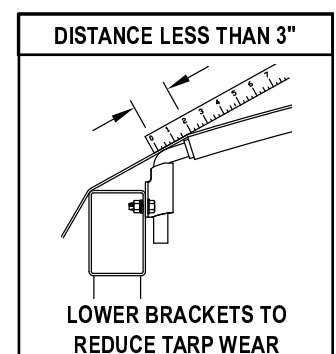
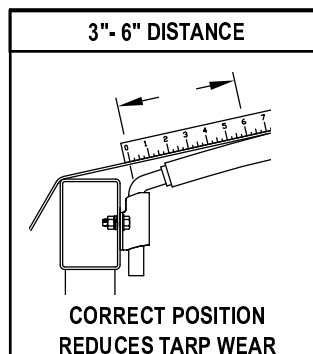


STEP 5: Align bow with bow shank. Mark and cut bow at point where bend starts on shank. Grind edges smooth and weld shank to bow.

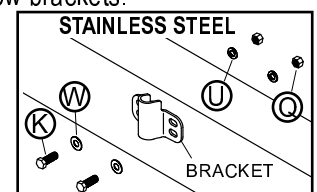
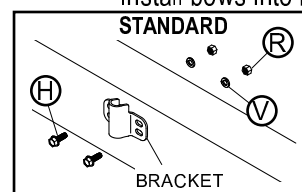


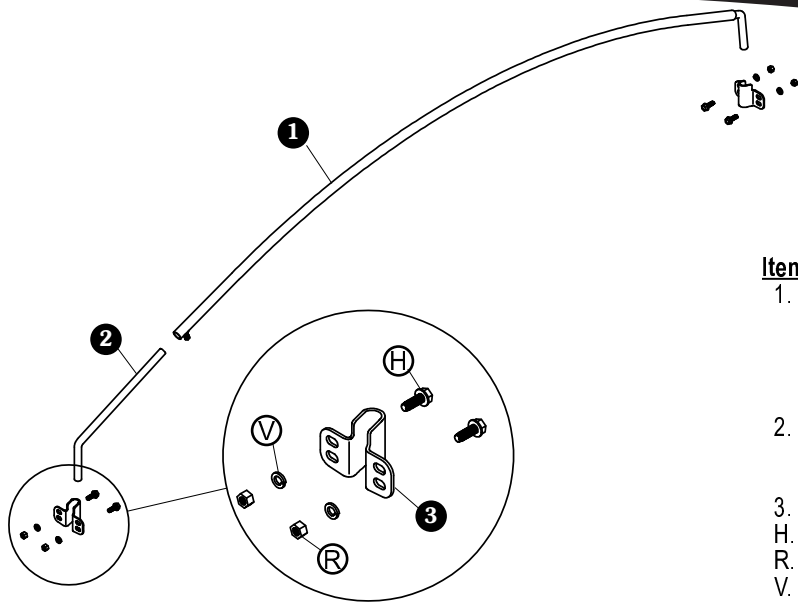
NOTE: Shanks must be welded to bows.

STEP 6: Adjust bow brackets vertically to allow 3" to 6" between bend in bow shank and point where tarp will contact bow.



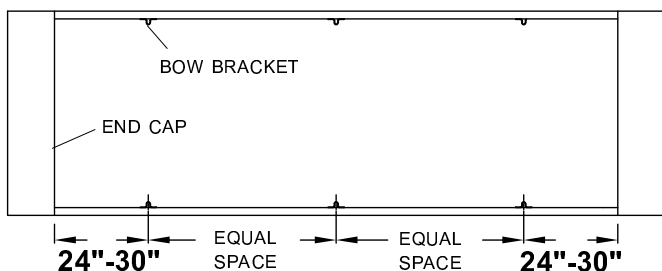
STEP 7: Mark and drill 5/16" holes, mount brackets with screws (H), washers (V) and nuts (R) (screws (K), washers (U), washers (W) and nuts (Q) for stainless steel). Install bows into bow brackets.





Item	Part #	Description
1.	1122759	Adjustable Bow - 8" Rise - 84" to 92" - Inside
	1122627	Adjustable Bow - 10" Rise - 84" to 92" - Inside
	1122818	Adjustable Bow - 8" Rise - 93" to 101" - Inside
	1122819	Adjustable Bow - 10" Rise - 93" to 101" - Inside
	1122820	Adjustable Bow - 12" Rise - 93" to 101" - Inside
2.	1122821	Adjustable Bow Shank - 108°
	1122626	Adjustable Bow Shank - 114°
	1122822	Adjustable Bow Shank - 117°
3.	1120836	Single Bow Bracket
H.	1700400	Self-Tapping Screw - 3/8" x 1"
R.	1700407	Hex Nut - 3/8"
V.	1700434	Lock Washer - 3/8"

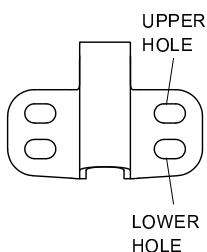
STEP 1: Mark bow bracket locations on top rails between end caps as shown.



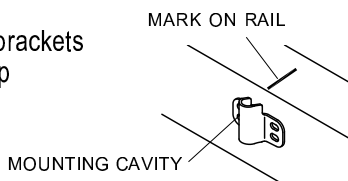
STEP 2: 1 1/2" to 3" wide rails.

Position single bow brackets with long side up and fasten through upper holes.

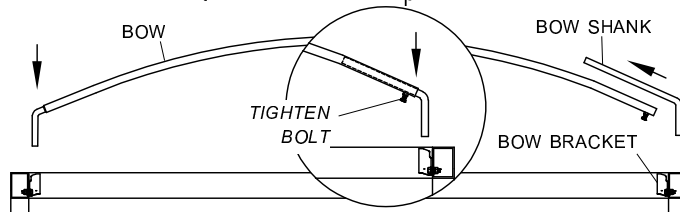
3" to 6" wide rails. Position single bow brackets with long side up and fasten through lower holes.



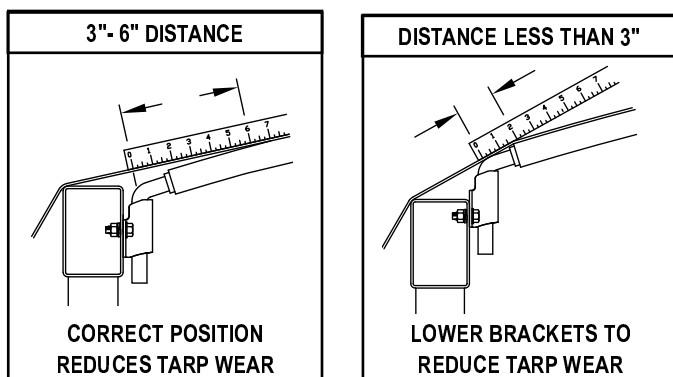
STEP 3: Align center of brackets with mark. Clamp brackets to rails.



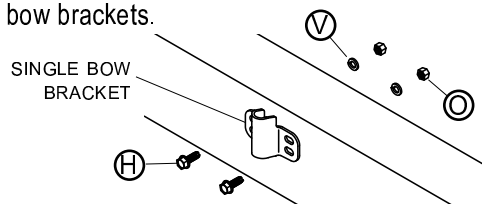
STEP 4: Place adjustable bow into bow bracket. Insert adjustable bow shank into open end of bow. Slide loose end of shank into bow bracket. Tighten 5/16" bolt against shank to secure shank in place.

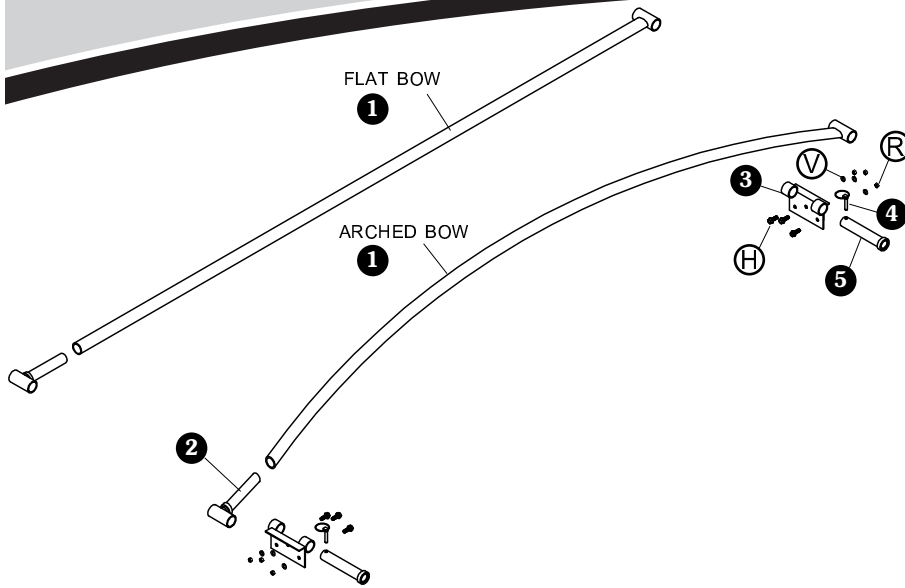


STEP 5: Adjust bow brackets vertically to create distance of 3" to 6" between bend in bow shank and point where tarp will contact bow.



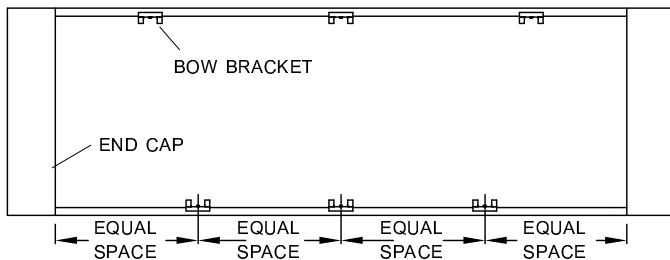
STEP 6: Mark and drill 5/16" holes. Mount brackets with screws H, washers V and nuts R. Install bows into bow brackets.



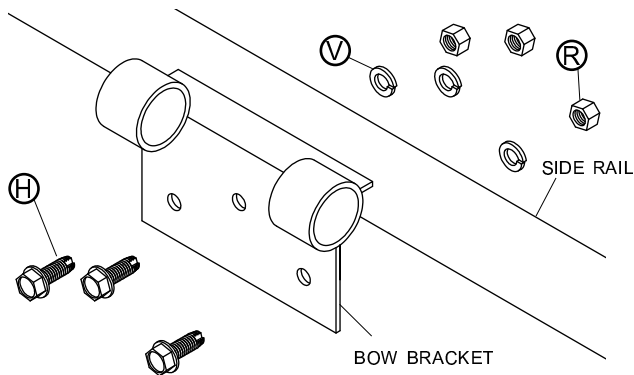


Item	Part #	Description
1.	1112669	Heavy-Duty Flat Bow
	1106612	Heavy-Duty Low-Rise Bow
	1101927	Heavy-Duty High-Rise Bow
2.	1104706	Heavy-Duty Bow Shank
3.	1106614	Heavy-Duty Bow Bracket
4.	1701098	Lynch Pin
5.	1104123	Heavy-Duty Bow Pin
H.	1700400	Self-Tapping Screw - 3/8" x 1"
R.	1700407	Hex Nut - 3/8"
V.	1700434	Lock Washer - 3/8"

STEP 1: Mark bow bracket locations on top rails between end caps as shown, aligning brackets on opposite sides of box.

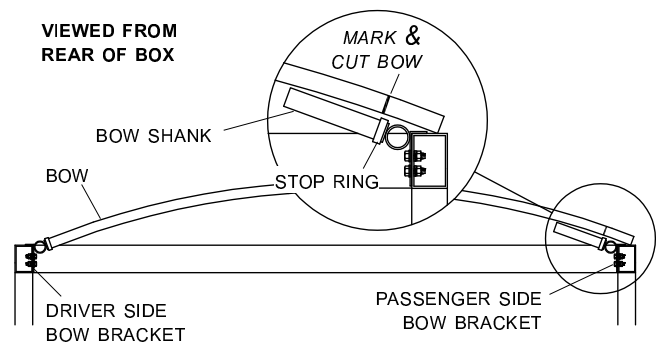


STEP 2: Mark and drill 5/16" holes, then secure brackets with screws (H), washers (V) and nuts (R).

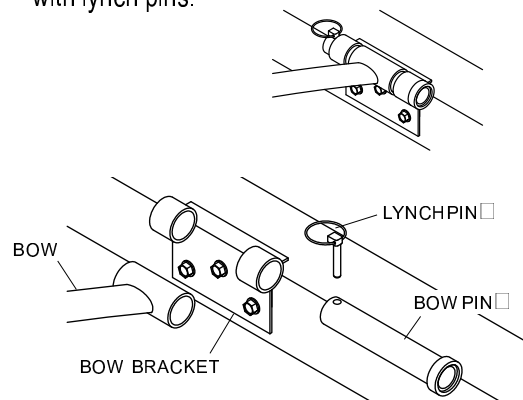


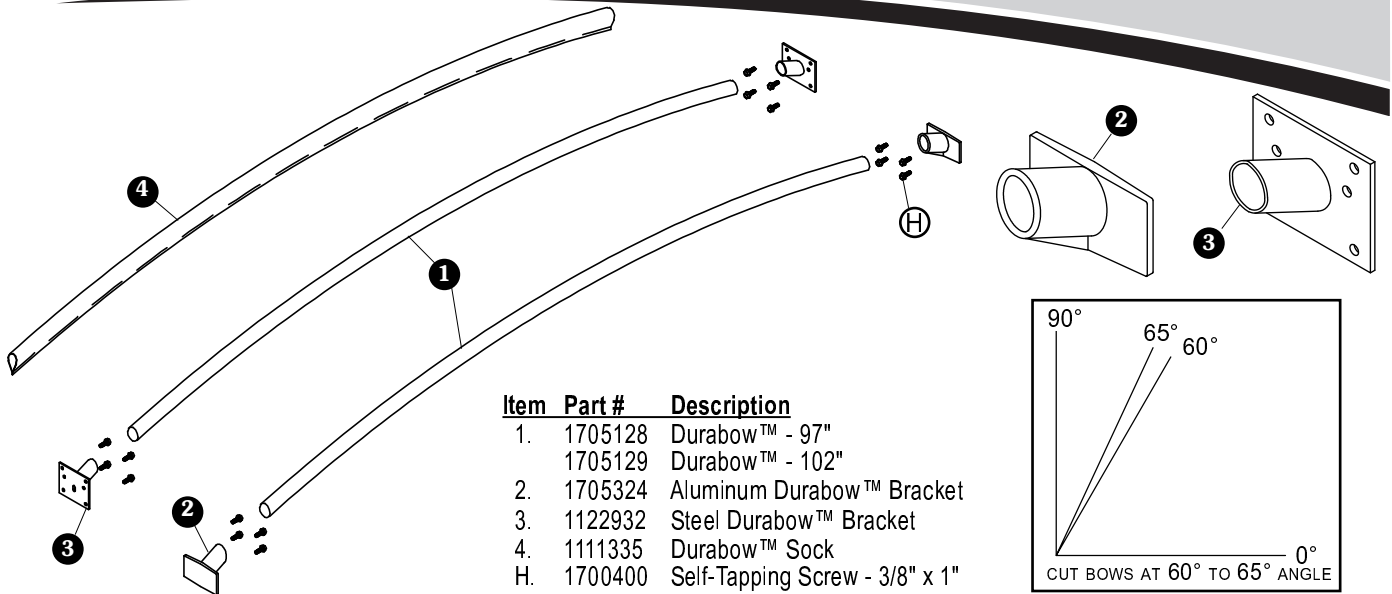
NOTE: For fabric caps only. If your kit includes ridgepole, measure length of ridge-pole pocket on tarp. The distance between front and rear bow brackets should be equal to that length.

STEP 3: Insert bow shank into driver side bow bracket and align bow with passenger side bow bracket. Align bow with bow shank and mark point where bow meets stop ring. Remove and cut bow at marked location. Grind edges smooth and insert bow shank into bow. Do not weld shank to bow.

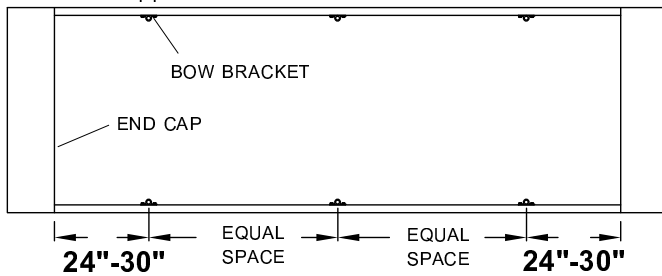


STEP 4: Fasten bow into bow brackets with bow pins. Secure with lynch pins.

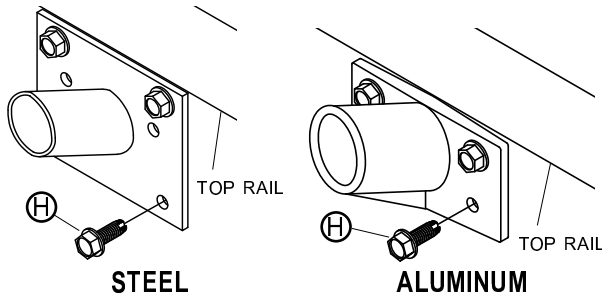




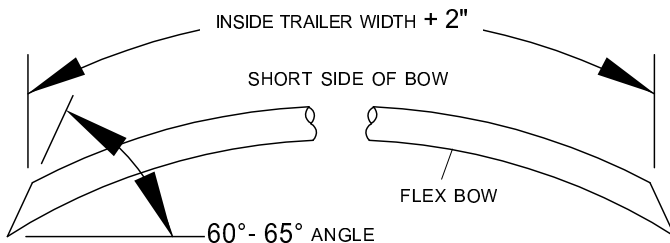
STEP 1: Space bow brackets as shown, aligning brackets on opposite sides of box.



STEP 2: Align bow brackets flush with top rail. Mark and drill 5/16" holes and secure brackets with screws H.



STEP 3: Cut bow ends at 60° to 65° angle. Cut short side of bows 2" longer than inside trailer width to obtain 10" to 12" arch.

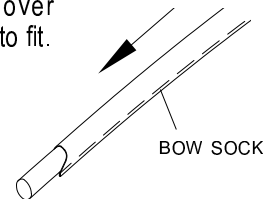


Example: If trailer width is 90" inside to inside, cut short side of bow 92" long.

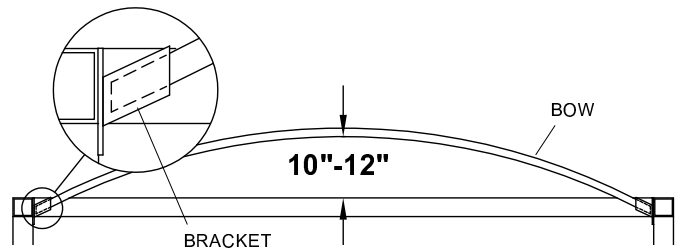
NOTE: Warranty will be void if bow ends are not cut at 60° to 65° angle.

NOTE: To maintain consistent 10" to 12" bow arch, it is important to measure trailer width at each bow location because widths may vary from front to back.

STEP 4: Slide bow sock over Flexbow® and trim to fit.

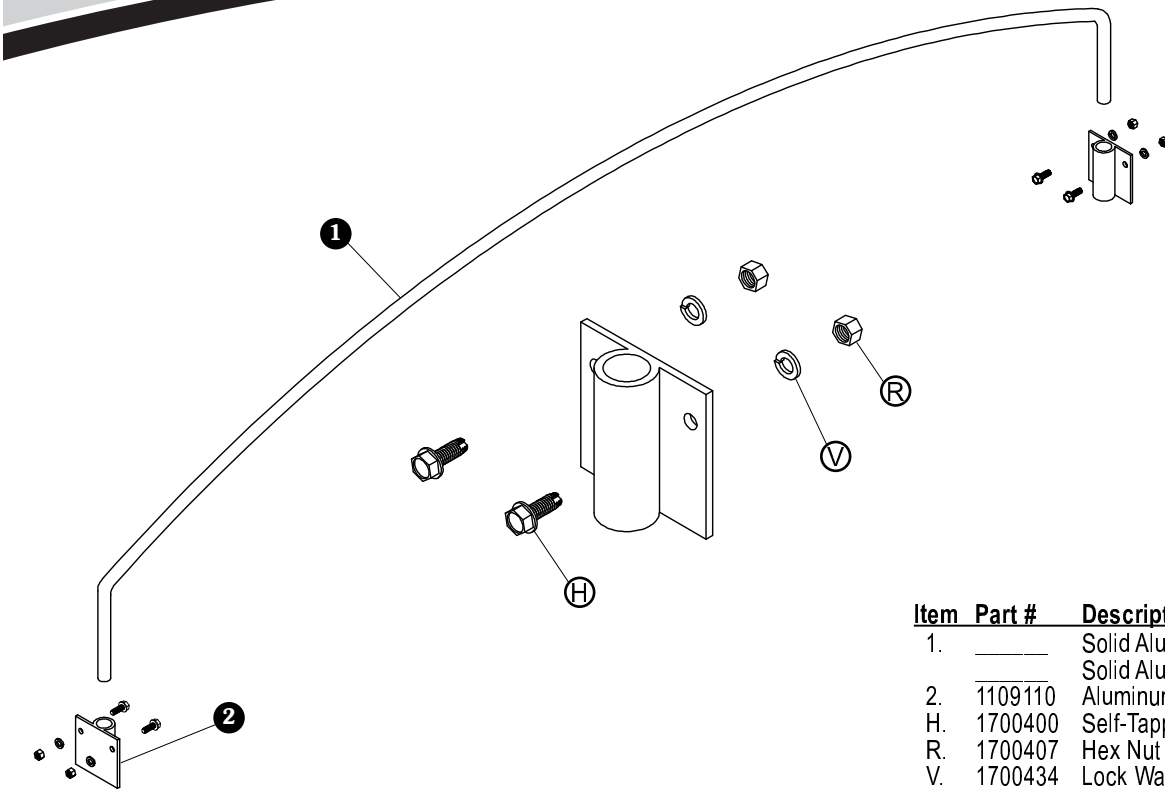


STEP 5: Insert bows into brackets.



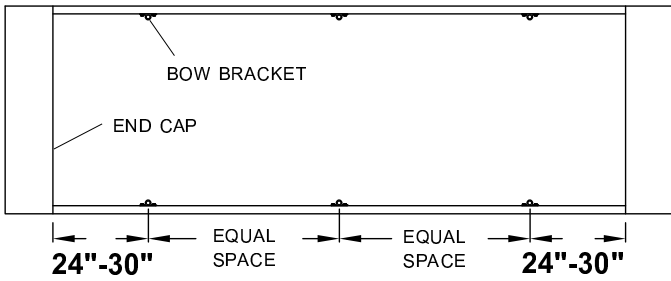
CAUTION
Stay clear of top side of bow. Bows could release and spring upward.

NOTE: Brackets may be welded instead of bolted into place. Consult trailer manufacturer for recommended welding procedure.

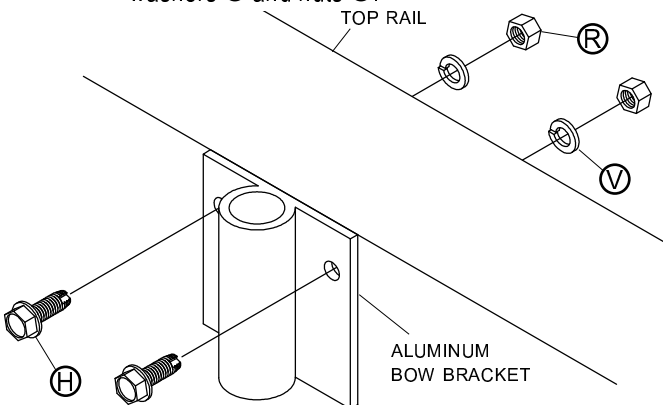


Item	Part #	Description
1.		Solid Aluminum Low-Rise Bow
		Solid Aluminum High-Rise Bow
2.	1109110	Aluminum Bow Bracket
H.	1700400	Self-Tapping Screw - 3/8" x 1"
R.	1700407	Hex Nut - 3/8"
V.	1700434	Lock Washer - 3/8"

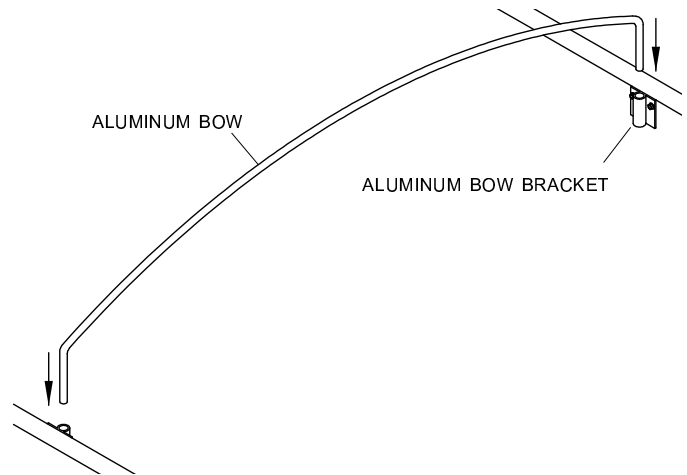
STEP 1: Mark bow bracket locations on top rails between end caps as shown, aligning brackets on opposite sides of box.



STEP 2: Align top edge of brackets with top edge of rail. Mark and drill 5/16" holes. Secure brackets with screws **H**, washers **V** and nuts **R**.



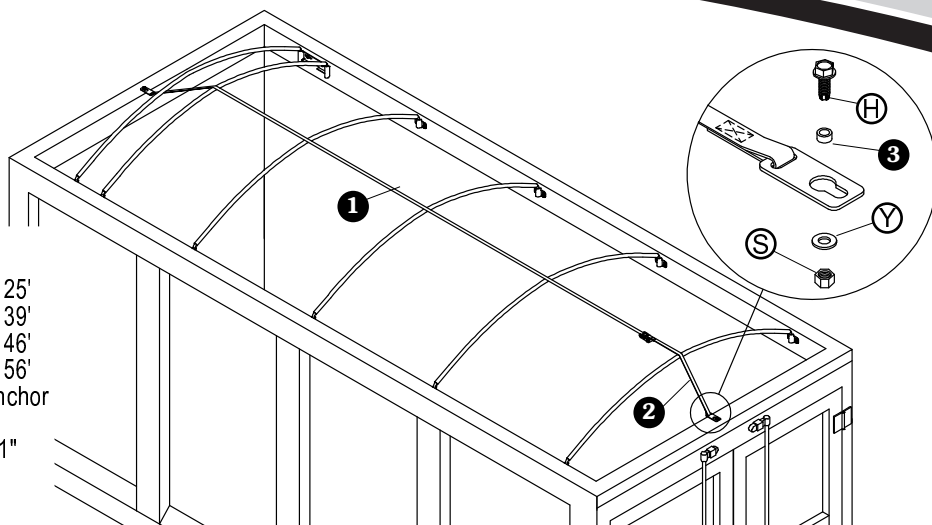
STEP 3: Insert bows into bow brackets.



NOTE: It is important to measure trailer width at each bow location because trailer widths may vary from front to back, and solid aluminum bows cannot be cut to length.

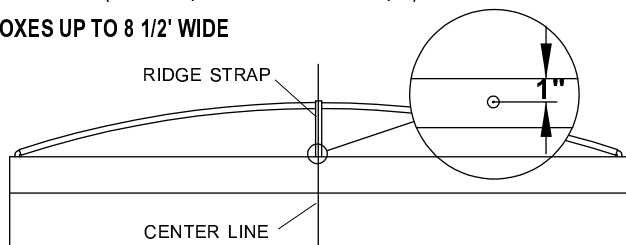
NOTE: For galvanized steel or aluminum cap applications, fasten ridge strap(s) to end caps. For fabric cap applications, fasten ridge strap(s) to top rail.

Item	Part #	Description
1.	1101680	Ridge Strap w/Anchor - 1" x 25'
	1101681	Ridge Strap w/Anchor - 1" x 39'
	1101682	Ridge Strap w/Anchor - 1" x 46'
	1107066	Ridge Strap w/Anchor - 1" x 56'
2.	1101678	Ratchet w/1" Ridge Strap/Anchor
3.	1101683	Anchor Bushing
H.	1700400	Self-Tapping Screw - 3/8" x 1"
Y.	1701176	Flat Washer - 3/8"
S.	1700418	Centerlock Nut - 3/8"



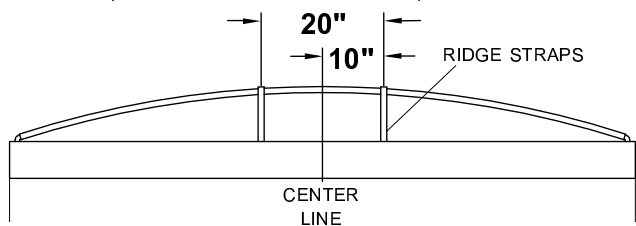
STEP 1: Mark hole locations at center of front and rear caps (mark top rails for fabric caps).

BOXES UP TO 8 1/2' WIDE



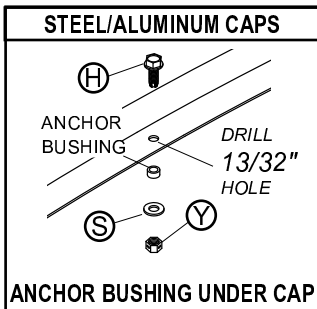
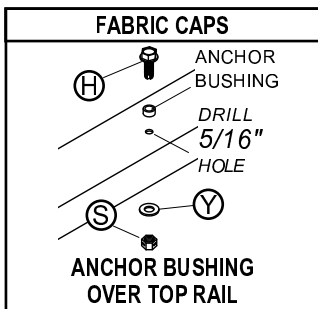
BOXES OVER 8 1/2' WIDE

Mark hole locations 20" apart on front and rear caps (mark top rails for fabric caps).



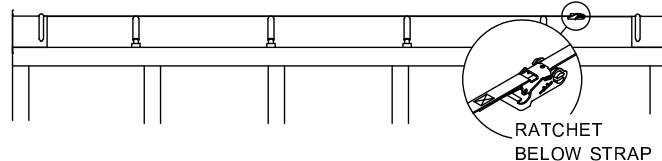
STEP 2: Drill holes and fasten ridge strap anchor bushings with screws **H**, washers **Y** and nuts **S**.

NOTE: Use washers and nuts where needed and drill 13/32" holes. If using self-tapping screws only, drill 5/16" holes.

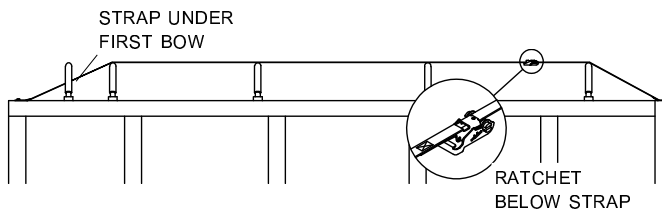


STEP 3: Install ridge straps over bows, positioning ratchet below strap as shown. Position ridge strap under first bow for front fabric cap.

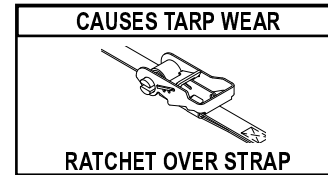
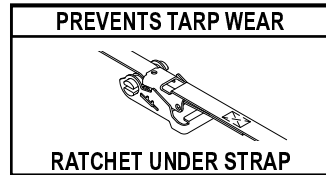
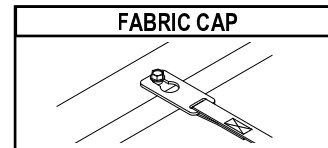
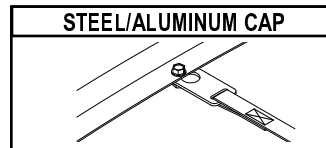
STEEL OR ALUMINUM CAPS



FABRIC CAPS

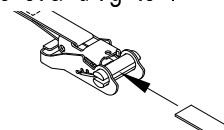


STEP 4: Hook ridge strap anchors onto anchor bushings on front and rear end caps (top rails).



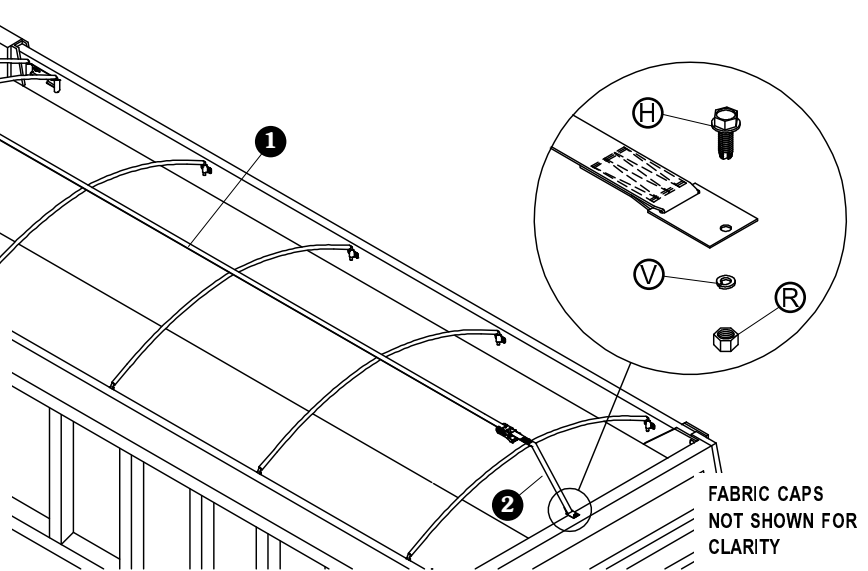
STEP 5: Thread strap through ratchet and tighten.

NOTE: Keep ridge straps tight for adequate tarp support. Check tension regularly.



NOTE: For galvanized steel or aluminum cap applications, fasten ridge strap(s) to end caps. For fabric cap applications, fasten ridge strap(s) to top rail.

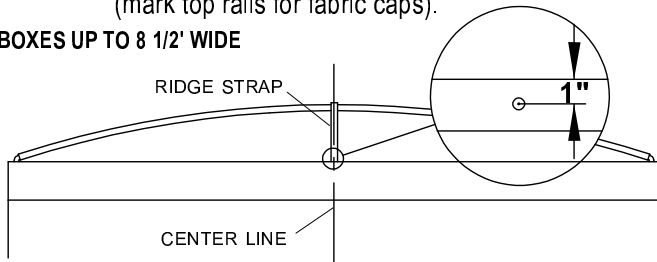
Item	Part #	Description
1.	1100571	Ridge Strap w/Anchor - 2" x 25'
	1100579	Ridge Strap w/Anchor - 2" x 39'
	1100580	Ridge Strap w/Anchor - 2" x 46'
	1107067	Ridge Strap w/Anchor - 2" x 56'
2.	1100594	Ratchet w/2" Ridge Strap & Anchor
H.	1700400	Self-Tapping Screw - 3/8" x 1"
V.	1700434	Lock Washer - 3/8"
R.	1700407	Hex Nut - 3/8"



FABRIC CAPS NOT SHOWN FOR CLARITY

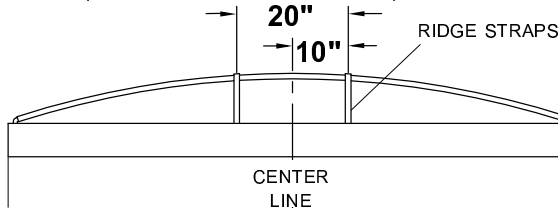
STEP 1: Mark hole locations at center of front and rear caps (mark top rails for fabric caps).

BOXES UP TO 8 1/2" WIDE



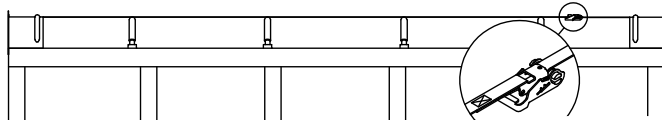
BOXES OVER 8 1/2" WIDE

Mark hole locations 20" apart on front and rear caps (mark top rails for fabric caps).

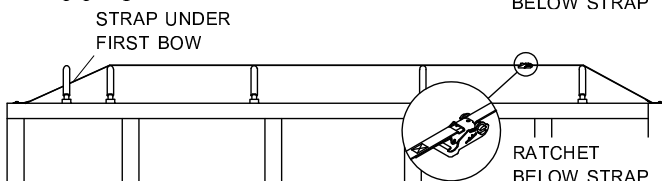


STEP 2: Place ridge straps over bows, positioning ratchet below strap as shown. Position ridge strap under first bow for front fabric cap.

STEEL OR ALUMINUM CAPS

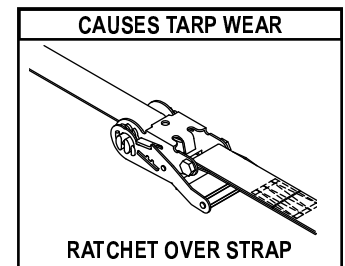
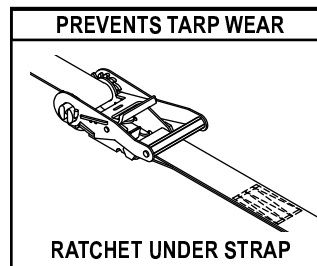
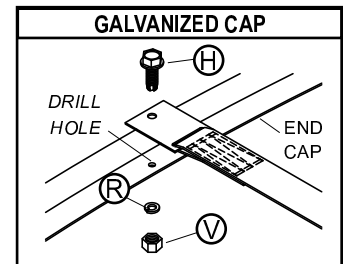
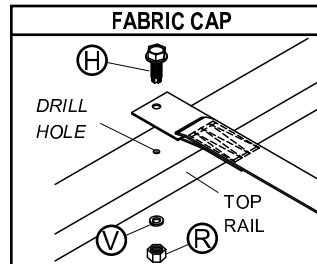


FABRIC CAPS



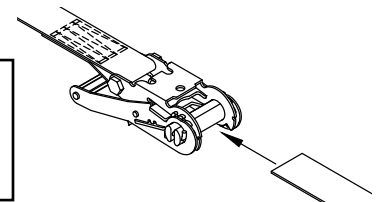
STEP 3: Drill holes and fasten ridge strap anchors with screws (H), washers (V) and nuts (R).

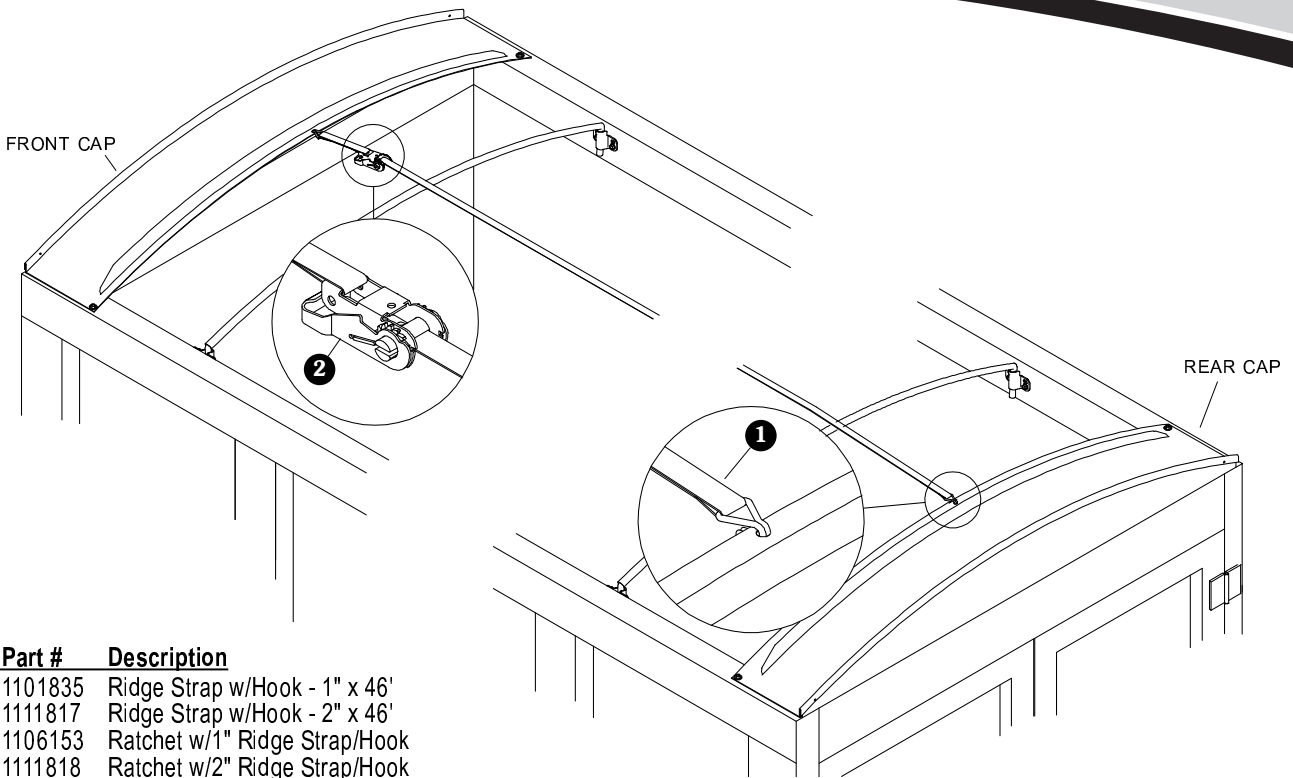
NOTE: Use washers and nuts where needed and drill 13/32" holes. If using self-tapping screws only, drill 5/16" holes.



STEP 4: Thread strap through ratchet and tighten.

NOTE: Keep ridge straps tight for adequate tarp support. Check tension regularly.

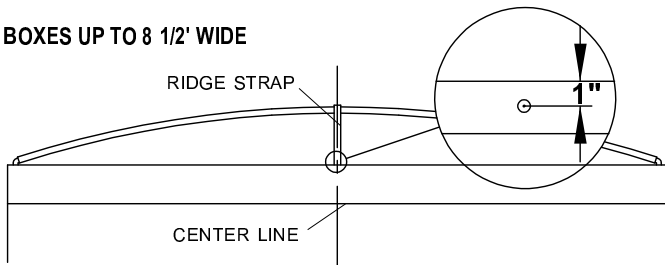




Item	Part #	Description
1.	1101835	Ridge Strap w/Hook - 1" x 46'
	1111817	Ridge Strap w/Hook - 2" x 46'
2.	1106153	Ratchet w/1" Ridge Strap/Hook
	1111818	Ratchet w/2" Ridge Strap/Hook

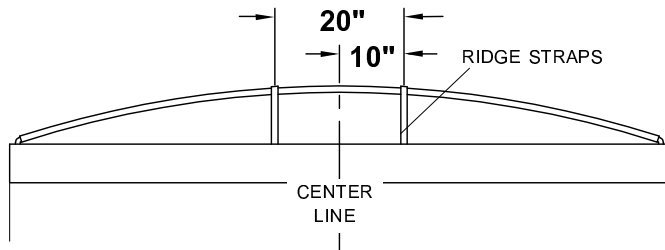
STEP 1: Mark hole locations at center of front and rear caps.

BOXES UP TO 8 1/2' WIDE

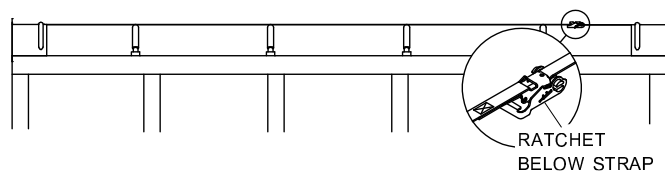


BOXES OVER 8 1/2' WIDE

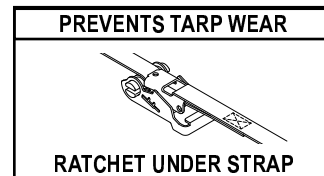
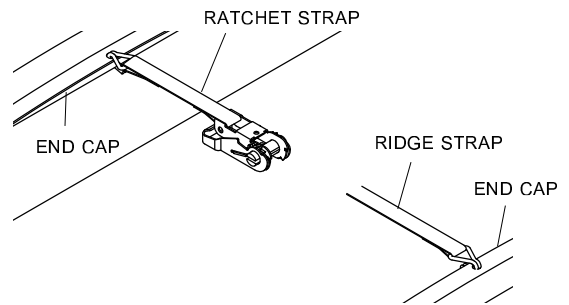
Mark hole locations 20" apart on front and rear caps.



STEP 2: Place ridge straps over bows, positioning ratchet below strap as shown.

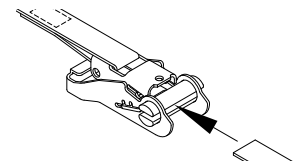


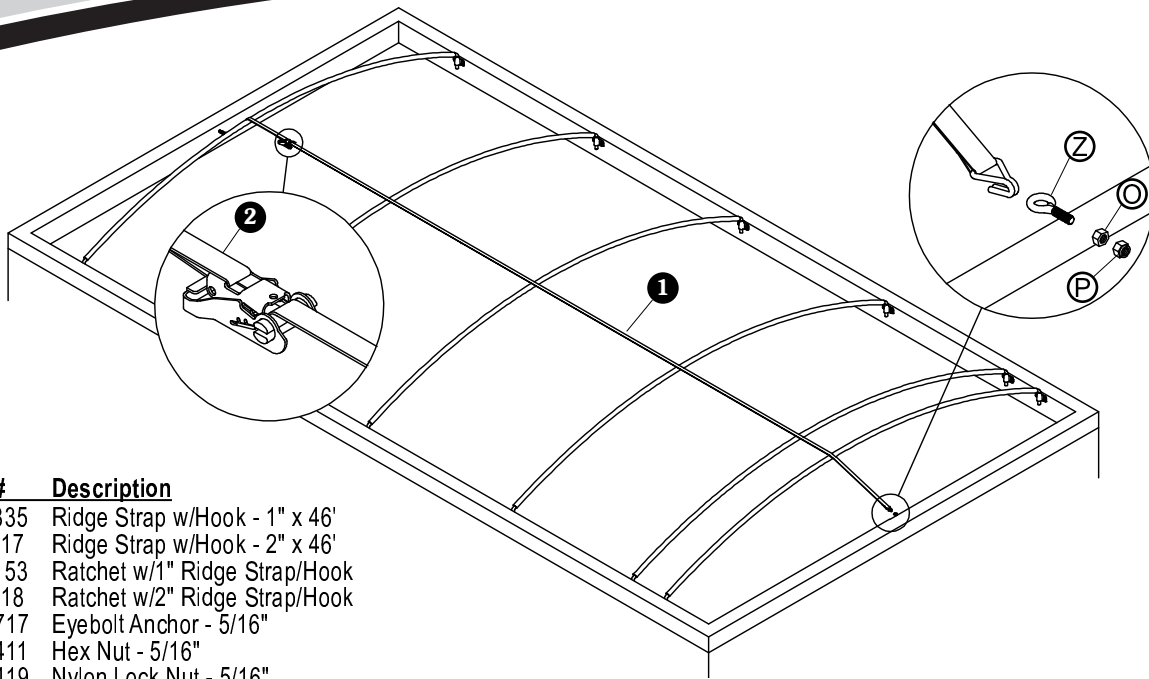
STEP 3: Drill 7/16" holes at marked locations. Hook ridge strap and ratchet strap into holes on end caps. Position ratchet under strap to prevent tarp wear.



STEP 4: Thread strap through ratchet and tighten.

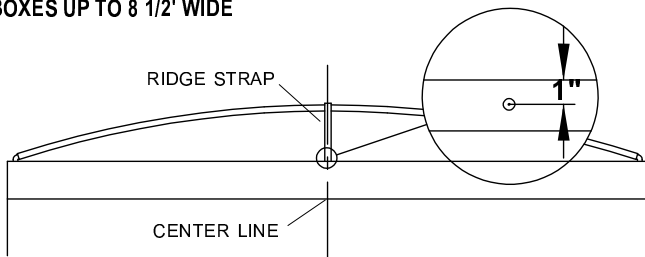
NOTE: Keep ridge straps tight for adequate tarp support. Check tension regularly.



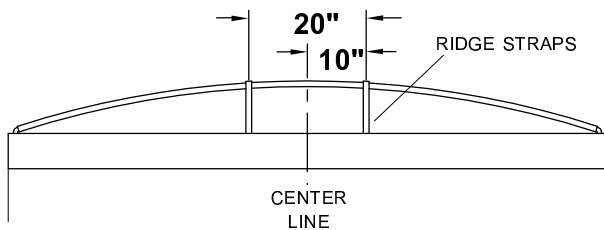


Item	Part #	Description
1.	1101835	Ridge Strap w/Hook - 1" x 46'
	1111817	Ridge Strap w/Hook - 2" x 46'
2.	1106153	Ratchet w/1" Ridge Strap/Hook
	1111818	Ratchet w/2" Ridge Strap/Hook
Z.	1700717	Eyebolt Anchor - 5/16"
O.	1700411	Hex Nut - 5/16"
P.	1700419	Nylon Lock Nut - 5/16"

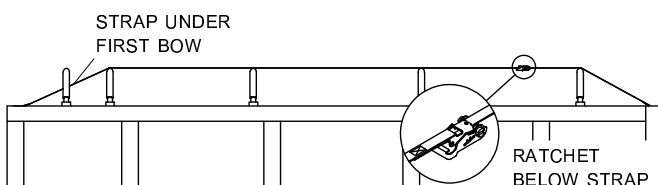
STEP 1: Mark hole locations at center of front and rear caps.
BOXES UP TO 8 1/2' WIDE



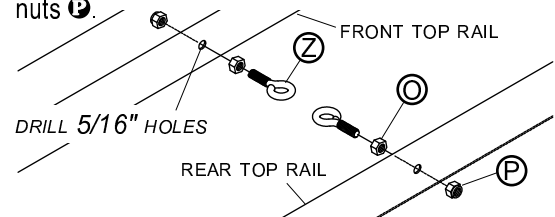
BOXES OVER 8 1/2' WIDE
 Mark hole locations 20" apart on front and rear caps.



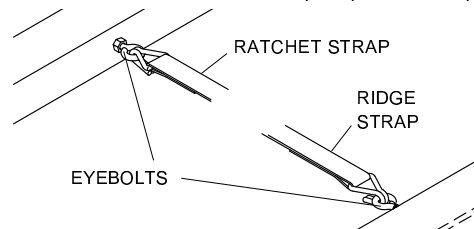
STEP 2: Place ridge straps over bows, positioning ratchet below strap as shown. Position ridge strap under first bow for front fabric cap.



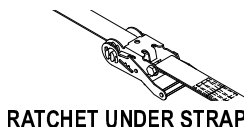
STEP 3: Mark and drill 5/16" holes at marked locations. Fasten eyebolt anchors Z through holes with nuts O and lock nuts P.



STEP 4: Hook ridge strap and ratchet strap into eyebolts. Position ratchet under strap to prevent tarp wear.

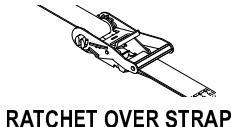


PREVENTS TARP WEAR



RATCHET UNDER STRAP

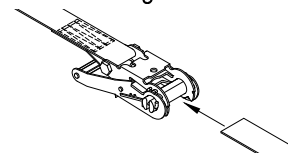
CAUSES TARP WEAR

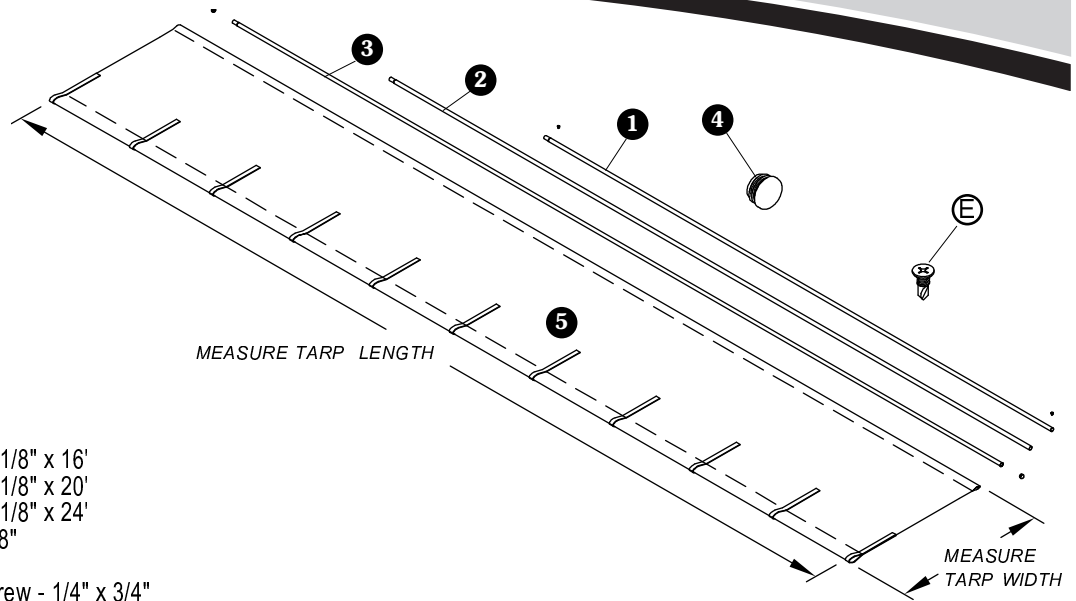


RATCHET OVER STRAP

STEP 5: Thread strap through ratchet and tighten.

NOTE: Keep ridge straps tight for adequate tarp support. Check tension regularly.



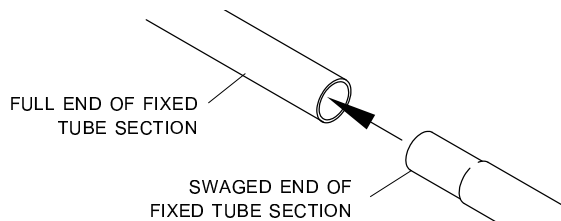


Item	Part #	Description
1.	1700051	Fixed Tube - 1 1/8" x 16'
2.	1700049	Fixed Tube - 1 1/8" x 20'
3.	1701428	Fixed Tube - 1 1/8" x 24'
4.	1700523	End Plug - 1 1/8"
5.		Tarp
E.	1704768	Self-Drilling Screw - 1/4" x 3/4"

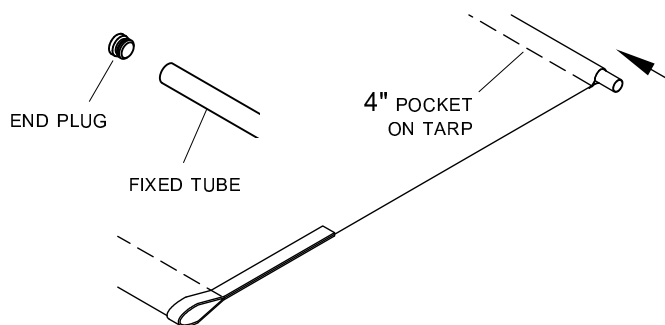
STEP 1: Open tarp and stretch tight. Measure and compare tarp measurements with those on spec sheet attached to tarp. Do not proceed with installation if tarp measurements do not match measurements specified on sheet. Call Shur-Co® or your local dealer for alterations or a replacement tarp.

NOTE: Tarps cannot be returned for free replacement beyond this point. Tarps damaged beyond this point may be returned for repair or replacement at owner's expense.

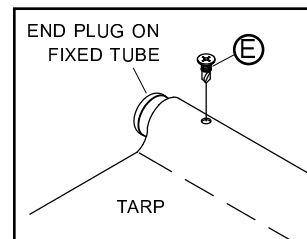
STEP 2: For boxes over 24', insert swaged end of fixed tube section into full end of second tube section. Align tubes, weld and grind smooth.



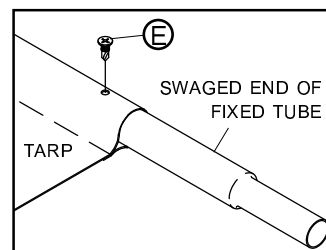
STEP 3: Install end plug into full end of tube weldment. Insert tube, end plug first, into 4" pocket on tarp.



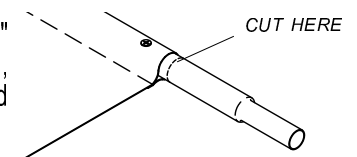
STEP 4: Extend fixed tube 1/4" past tarp edge. Fasten tarp to fixed tube with screw **E**.



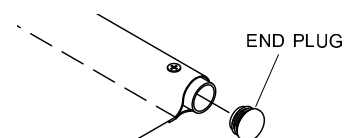
STEP 5: Stretch tarp along fixed tube and fasten with second screw **E**.

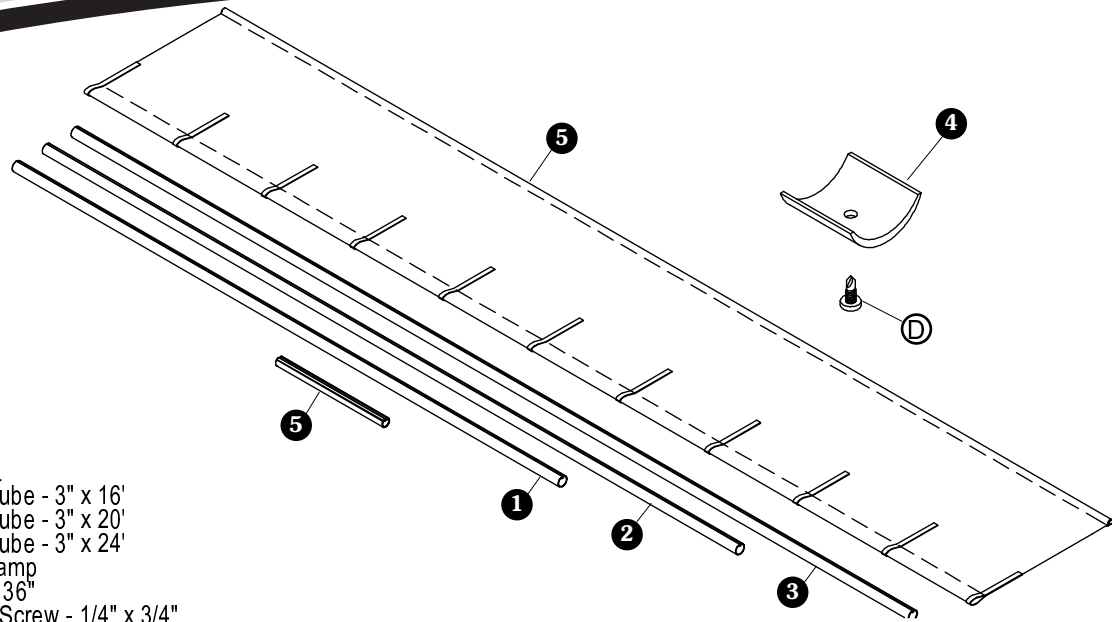


STEP 6: Cut fixed tube 1/4" past edge of tarp, removing swaged end. Grind smooth.

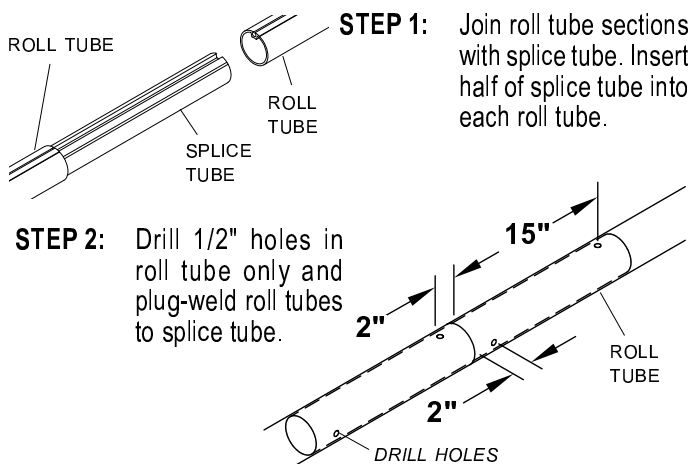


STEP 7: Insert end plug.





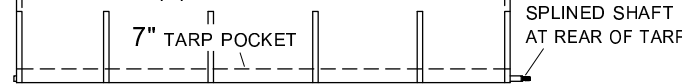
Item	Part #	Description
1.	1704439	Alum. Roll Tube - 3" x 16'
2.	1704398	Alum. Roll Tube - 3" x 20'
3.	1704236	Alum. Roll Tube - 3" x 24'
4.	1701354	Plastic U-Clamp
5.	1704863	Splice - 3" x 36"
D.	1700398	Self-Drilling Screw - 1/4" x 3/4"



STEP 1: Join roll tube sections with splice tube. Insert half of splice tube into each roll tube.

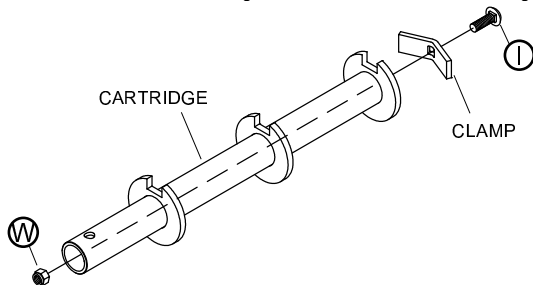
STEP 2: Drill 1/2" holes in roll tube only and plug-weld roll tubes to splice tube.

STEP 3: Grind weld edges smooth and insert roll tube into 7" tarp pocket.

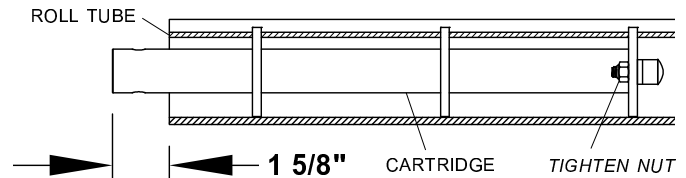


TIPS: Inflate 7" tarp pocket with air chuck while inserting roll tube. For ease of handling, wind tarp on roll tube completely before lifting tarp onto box.

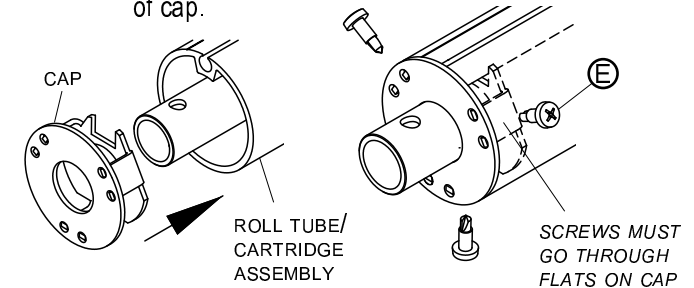
STEP 4: Assemble cartridge, nut **W**, clamp and carriage bolt **I**.



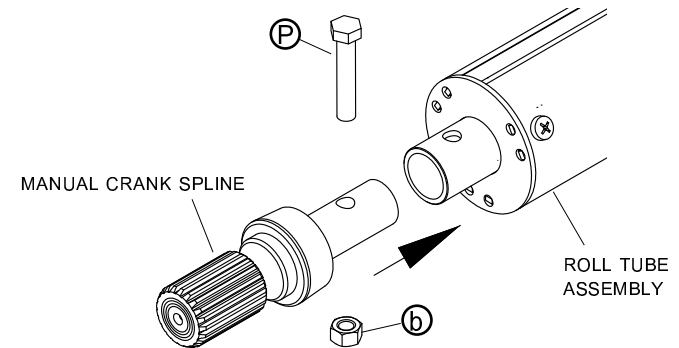
STEP 5: Insert cartridge assembly into roll tube. Position cartridge to extend 1 5/8" past end of roll tube. Tighten nut to 20 ft./lbs.

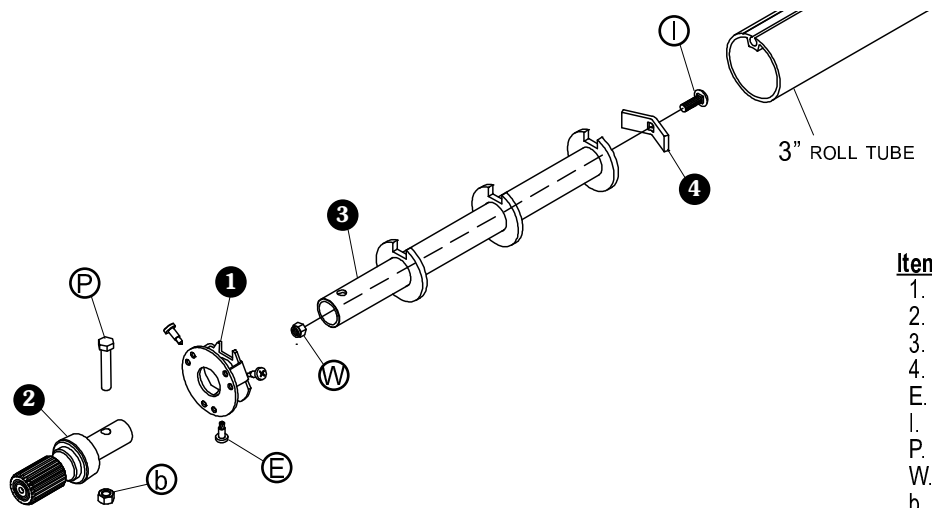


STEP 6: Insert cap into roll tube/cartridge assembly. Fasten three screws **E** through roll tube and flats on sides of cap.



STEP 7: Insert manual crank spline into roll tube assembly. Secure with screw **P** and nut **B**.

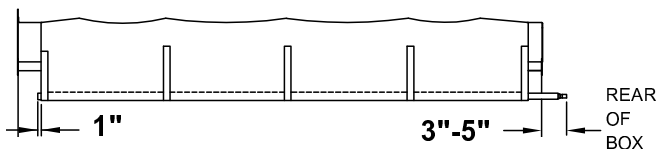




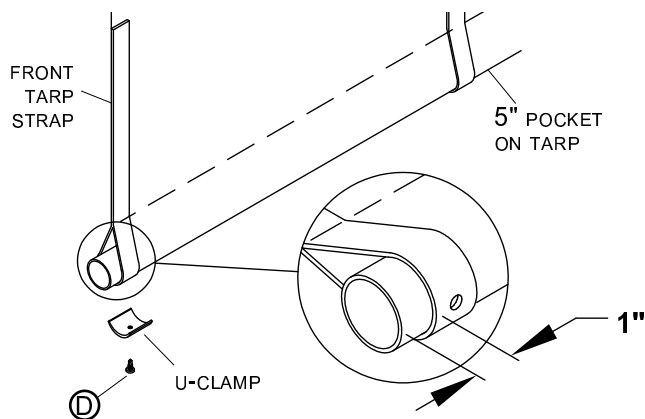
Item	Part #	Description
1.	1121040	Roll Tube Cap - 3" Spline
2.	1121111	Manual Crank Spline - 3" Tube
3.	1121039	Cartridge - 3" Spline End
4.	1118194	Cartridge Clamp
E.	1705198	Self-Drilling Screw - 1/4" x 1"
I.	1704237	Carriage Bolt - 5/16" x 1"
P.	1704264	Cap Screw - 3/8" x 2"
W.	1704297	Nylon Lock Nut - 5/16"
b.	1702668	Top Lock Nut - 3/8"

STEP 7: Center tarp on box and secure tarp to box with tarp stops. See page -- to install tarp stops.

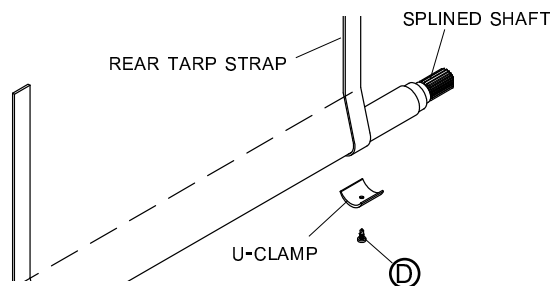
STEP 8: Align roll tube to extend 1" past front of tarp. Splined shaft must extend 3" to 5" beyond rear of box.



STEP 9: Center first U-clamp on front tarp strap, positioning screw **D** on crease at bottom of tarp pocket. Fasten U-clamp with screw **D**.



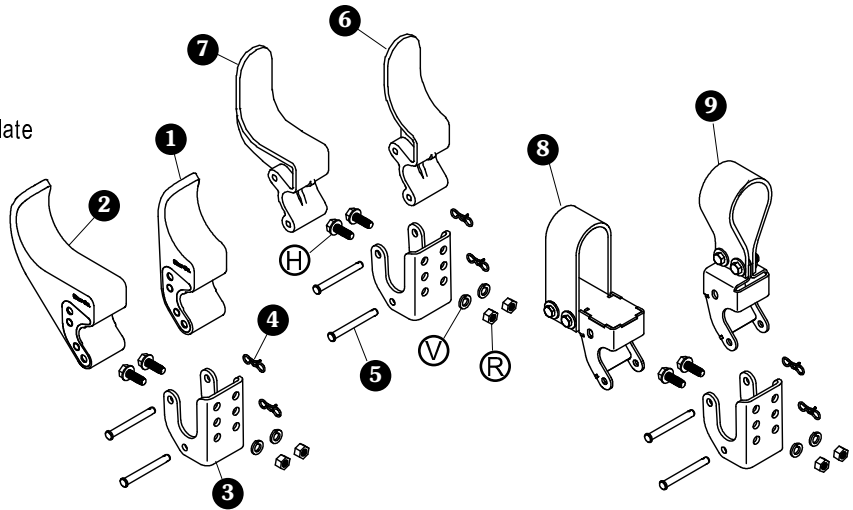
STEP 10: Stretch tarp along roll tube so both sides of tarp are equal. Install U-clamp on rear tarp strap.



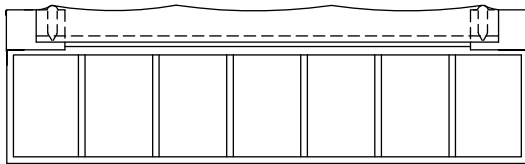
STEP 11: Install remaining U-clamps on remaining tarp straps.

STEP 12: Insert roll tube into 7" pocket, inserting roll tube from rear to front of tarp. Leave 12" of roll tube extended from front and rear of tarp. Cut excess roll tube off before installing on trailer.

ItemPart #	Description
1. 1115216	Easy-Off Flexible Tarp Stop Upright w/Plate
2. 1115217	Easy-Off Flexible Tarp Stop Upright - 6" Offset w/Plate
3. 1100833	Easy-Off Tarp Stop Body
4. 1704380	Bowtie Cotter Pin
5. 1703604	Clevis Pin - 5/16" x 2 7/8"
6. 1705775	Easy-Off Aluminum Tarp Stop Upright
7. 1705454	Easy-Off Aluminum Tarp Stop Upright - 6" Offset
8. 1123455	Tarp Stop Upright - Easy-Off Belt Flex - Offset
9. 1122260	Tarp Stop Upright - Easy-Off Belt Flex
H. 1700400	Self-Tapping Screw - 3/8" x 1"
V. 1700434	Lock Washer - 3/8"
R. 1700407	Hex Nut - 3/8"

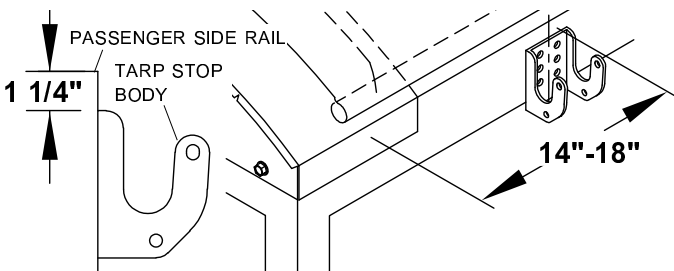


STEP 1: Center tarp between front and rear end caps, with fixed tube on passenger side of box.



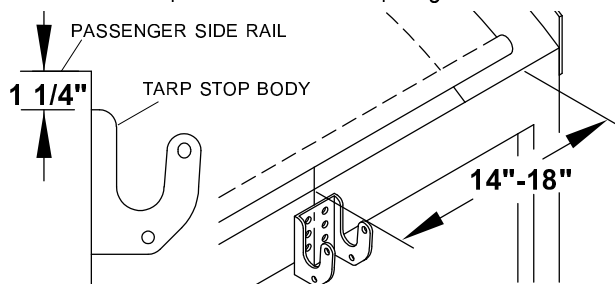
NOTE: If installing system to open from passenger side of box, locate tarp stops on driver side.

STEP 2: Locate first tarp stop body 14" to 18" from rear edge of tarp and 1 1/4" from top edge of rail on passenger side of box.

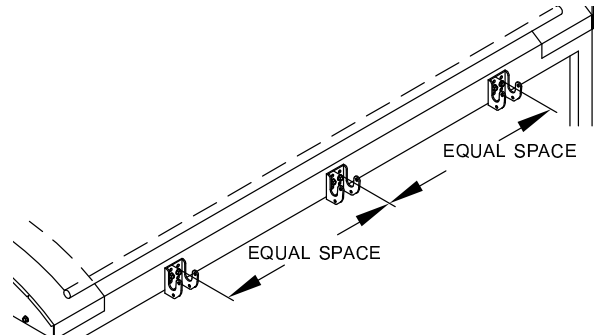


NOTE: Install tarp stop body on vertical surface. Fasten through holes that best fit top rail configuration.

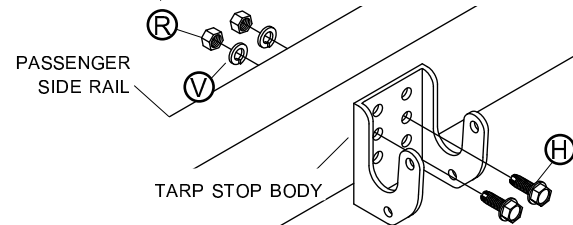
STEP 3: Locate second tarp stop body 14" to 18" from front of tarp and 1 1/4" from top edge of rail.



STEP 4: Equally space and vertically align remaining tarp stop bodies between front and rear tarp stop bodies.

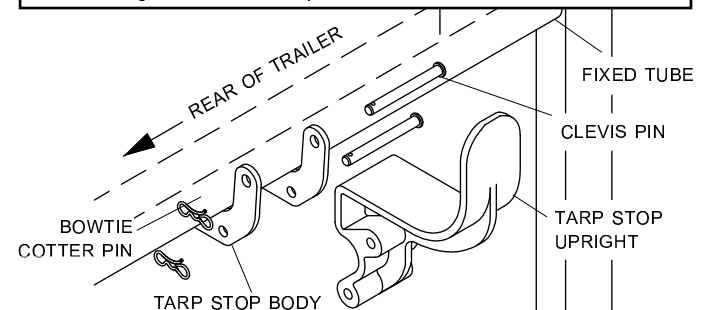


STEP 5: Use tarp stop bodies as templates to mark hole locations. Drill 5/16" holes and fasten to box with screws **H**, lock washers **V** and nuts **R**.

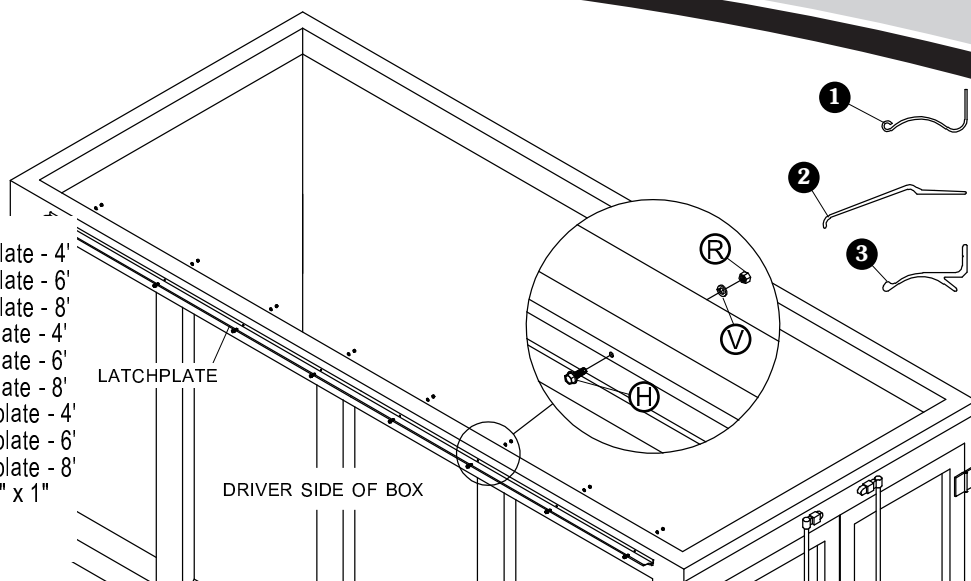


STEP 6: Adjust tarp so fixed tube rests squarely in tarp stop bodies. Fasten tarp stop uprights to tarp stop bodies with clevis pins. Secure with bowtie cotter pins.

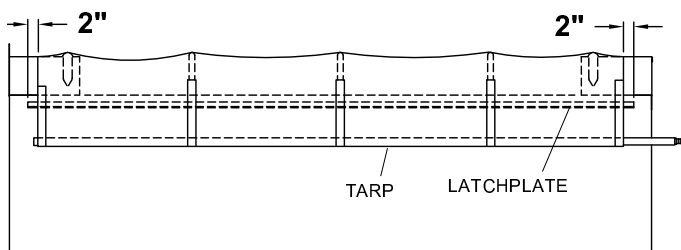
NOTE: Align bowtie cotter pins toward rear of trailer as shown.



Item	Part #	Description
1.	1701546	Galv. Side-Mount Latchplate - 4'
	1113005	Galv. Side-Mount Latchplate - 6'
	1701547	Galv. Side-Mount Latchplate - 8'
2.	1100370	Alum. Top-Mount Latchplate - 4'
	1100369	Alum. Top-Mount Latchplate - 6'
	1100368	Alum. Top-Mount Latchplate - 8'
3.	1100749	Alum. Side-Mount Latchplate - 4'
	1700802	Alum. Side-Mount Latchplate - 6'
	1700522	Alum. Side-Mount Latchplate - 8'
H.	1700400	Self-Tapping Screw - 3/8" x 1"
V.	1700434	Lock Washer - 3/8"
R.	1700407	Hex Nut - 3/8"

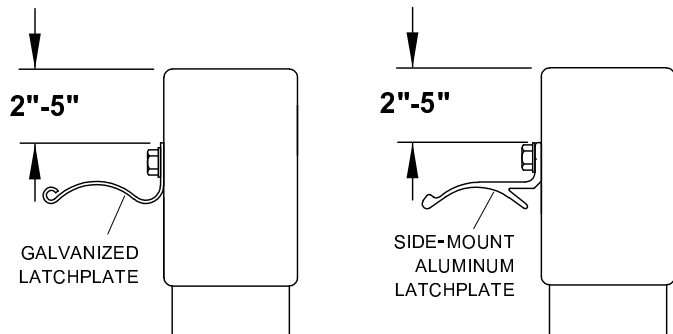


STEP 1: Adapt latchplate pieces to extend 2" past tarp at front and rear of tarp.



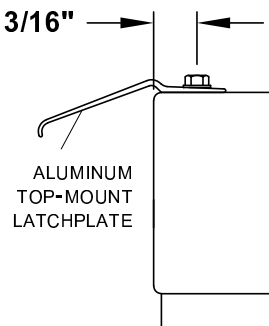
NOTE: If installing system to open from driver side of box, locate latchplate on passenger side. Latchplate alignment must be true.

STEP 2A: Side-mount latchplate. Starting at rear of box, position latchplate sections 2" to 5" down from top edge of rail on driver side of box, in an area free from obstructions. Clamp in place.

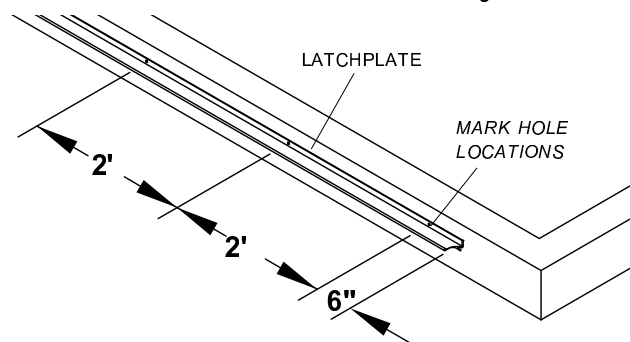


STEP 2B: Top-mount latchplate. 1 3/16"

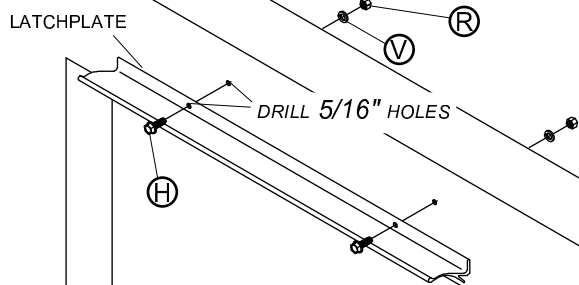
Install in the same way as side-mount latchplate, except fasten over top rail, aligning screws about 1 3/16" from edge of rail.



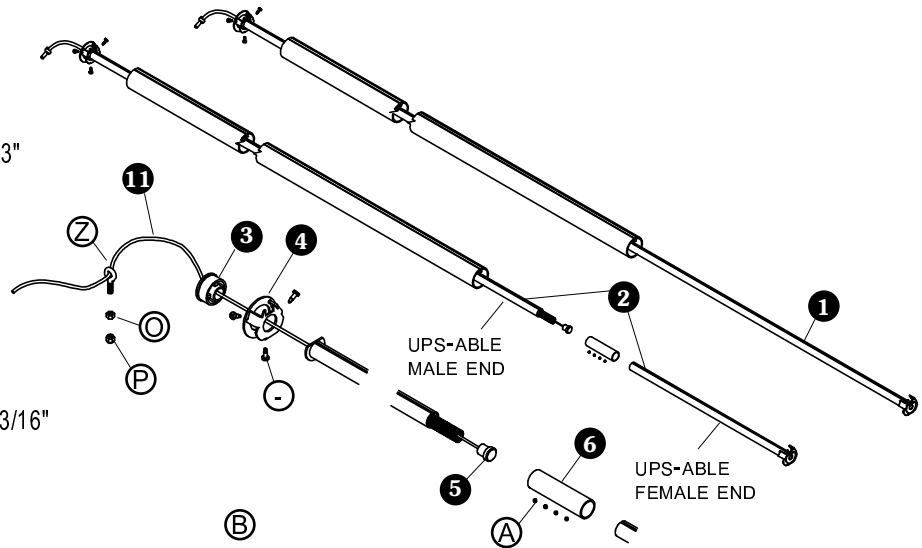
STEP 3: Mark hole locations on latchplate about every 2' apart, with holes no more than 6" from edges.



STEP 4: Drill 5/16" pilot holes through latchplate and box. Fasten with screws (H), lock washers (V) and nuts (R).

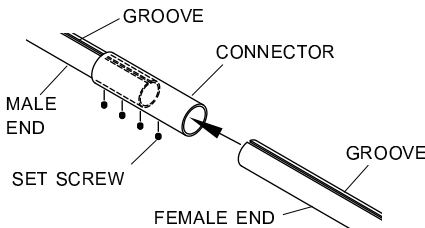


Item	Part #	Description
	1124875	Shur-Return™ Kit - 3"
	1124876	UPS-able Shur-Return™ Kit - 3"
1.	1122479	Shur-Return™ Tube Assembly - 3"
2.	1122665	UPS-able Tube Assembly - 3" (Spring - Rope)
3.	1100138	Nylon End Plug
4.	1121041	Roll Tube Cap - 3"
5.	1100827	Spring Retainer Plug
6.	1107879	Connector Sleeve
7.	1100826	Shur-Return™ Rope
A.	1701423	Hex Socket Set Screw - #10 x 3/16"
B.	1704743	Self-Drilling Screw - #10 x 1/2"
-	1705198	Self-Drilling Screw - 1/4" x 1"
O.	1700411	Hex Nut - 5/16"
P.	1700419	Nylon Lock Nut - 5/16"
Z.	1700717	Eyebolt - 5/16"



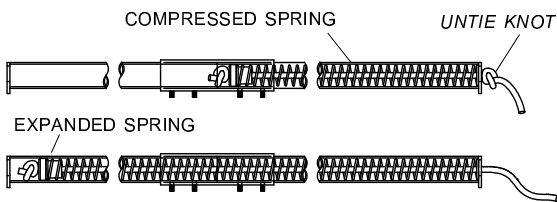
NOTE: Steps 1 and 2 are for UPS-able Shur-Return™ only.

STEP 1: Align grooves in male and female UPS-able Shur-Return™ ends and insert female end into connector sleeve. Tighten set screws.



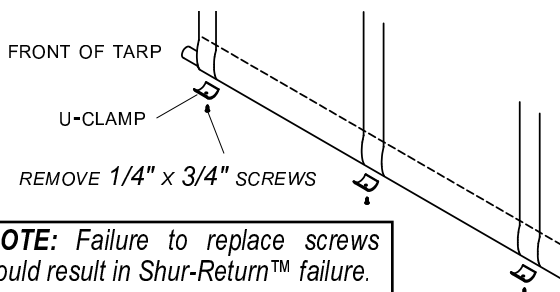
NOTE: Install set screws 180° from groove. Do not over tighten set screws.

STEP 2: Cautiously untie knot and slowly allow spring to expand to full length of UPS-able Shur-Return™.



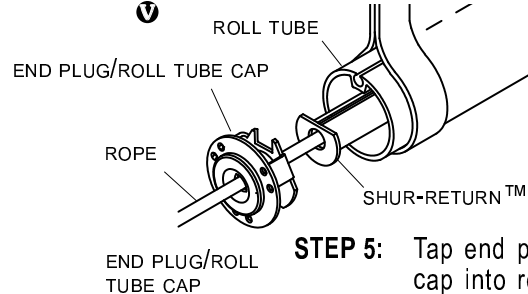
NOTE: Spring is compressed. Use caution when untying knot.

STEP 3: Remove and discard existing 1/4" x 3/4" screws from U-clamps on front 11' of tarp.

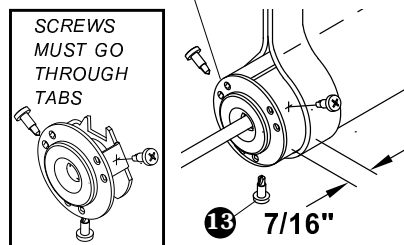


NOTE: Failure to replace screws could result in Shur-Return™ failure.

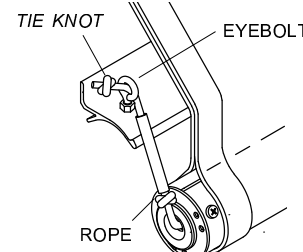
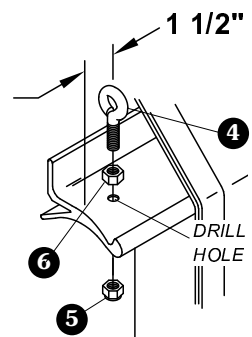
STEP 4: Insert Shur-Return™ into roll tube at front of trailer as shown. Thread rope through nylon end plug/roll tube cap. Refasten U-clamps with screws ⑧.



STEP 5: Tap end plug/roll tube cap into roll tube and mark location 7/16" from edge of end plug. Secure to roll tube with screws ⑬.



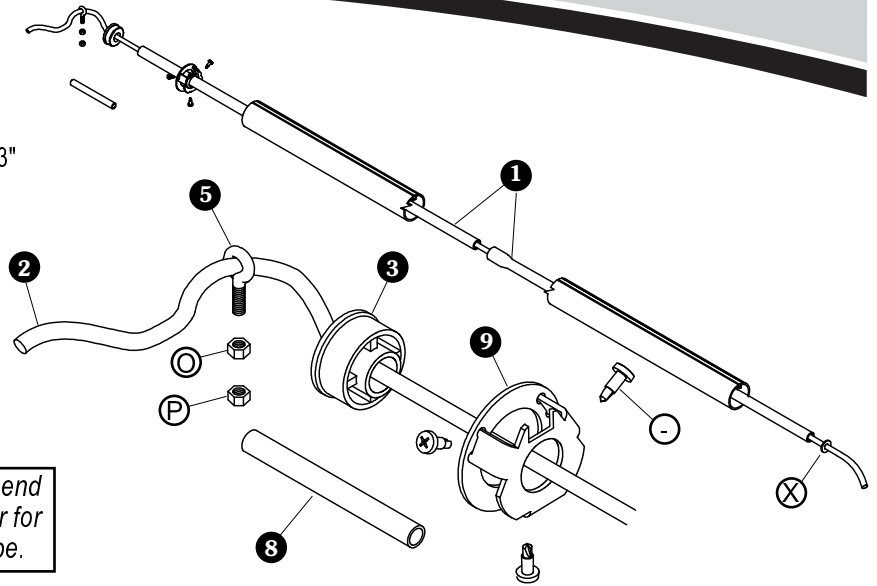
STEP 6: Drill 11/32" hole into latchplate 1 1/2" past end of tarp. Insert eyebolt ④ through hole and secure with nut ⑥ and lock nut ⑤.



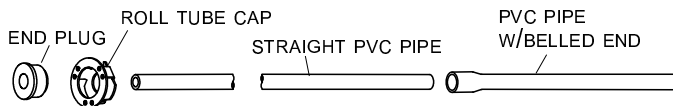
STEP 7: Insert Shur-Return™ rope through eyebolt, remove all slack from rope and tie knot. Cut off excess rope and melt frayed end.

Item	Part #	Description
	1124882	Front Stretch Cord Roll Return Kit - 3"
1.	1111067	Roll Return Tube Set - 2 Pc.
2.	1114360	Roll Return Stretch Cord - 11 1/2'
3.	1100138	Nylon End Plug
4.	1700717	Eyebolt Anchor - 5/16"
5.	1107680	Protective Stretch Cord Cover
6.	1121041	Roll Tube Cap - 3"
-	1705198	Self-Drilling Screw - 1/4" x 1"
P.	1700419	Nylon Lock Nut - 5/16"
O.	1700411	Hex Nut - 5/16"
X.	1703373	Flat Washer - 1/2"

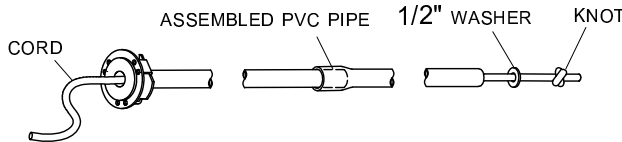
NOTE: If PVC pipe is not seen after removing end plug, raise crank handle end of roll tube in order for the roll return components to slide out of roll tube.



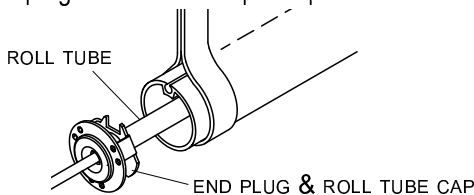
STEP 1: Press belled PVC pipe over end of straight PVC pipe. Press end plug into roll tube cap, then into end of straight pipe.



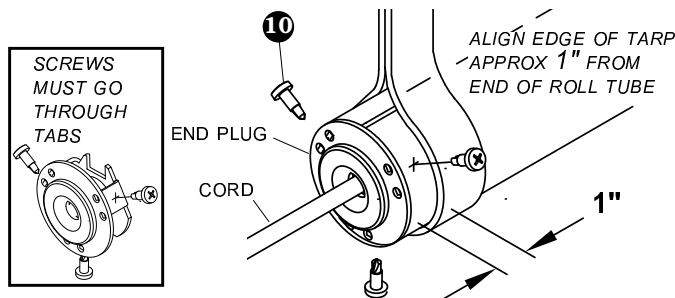
STEP 2: Insert stretch cord through pipes, end plug and cap. Slide flat washer on end of stretch rope and tie knot.



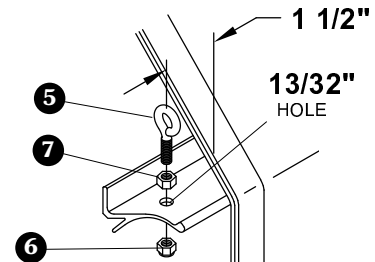
STEP 3: Insert roll return assembly into roll tube and lightly tap end plug and roll tube cap into place.



STEP 4: Mark location 7/16" from edge of roll return end plug. Secure end plug to roll tube with screws 10.



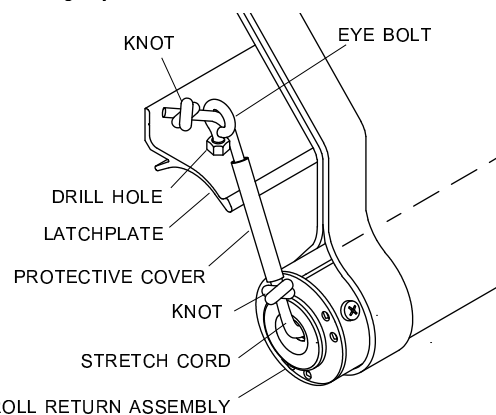
STEP 5: Drill 13/32" hole through latchplate 1 1/2" from end. Grind rough edges smooth. Insert eye bolt 5 through hole, secure with nut 7 and lock nut 6.



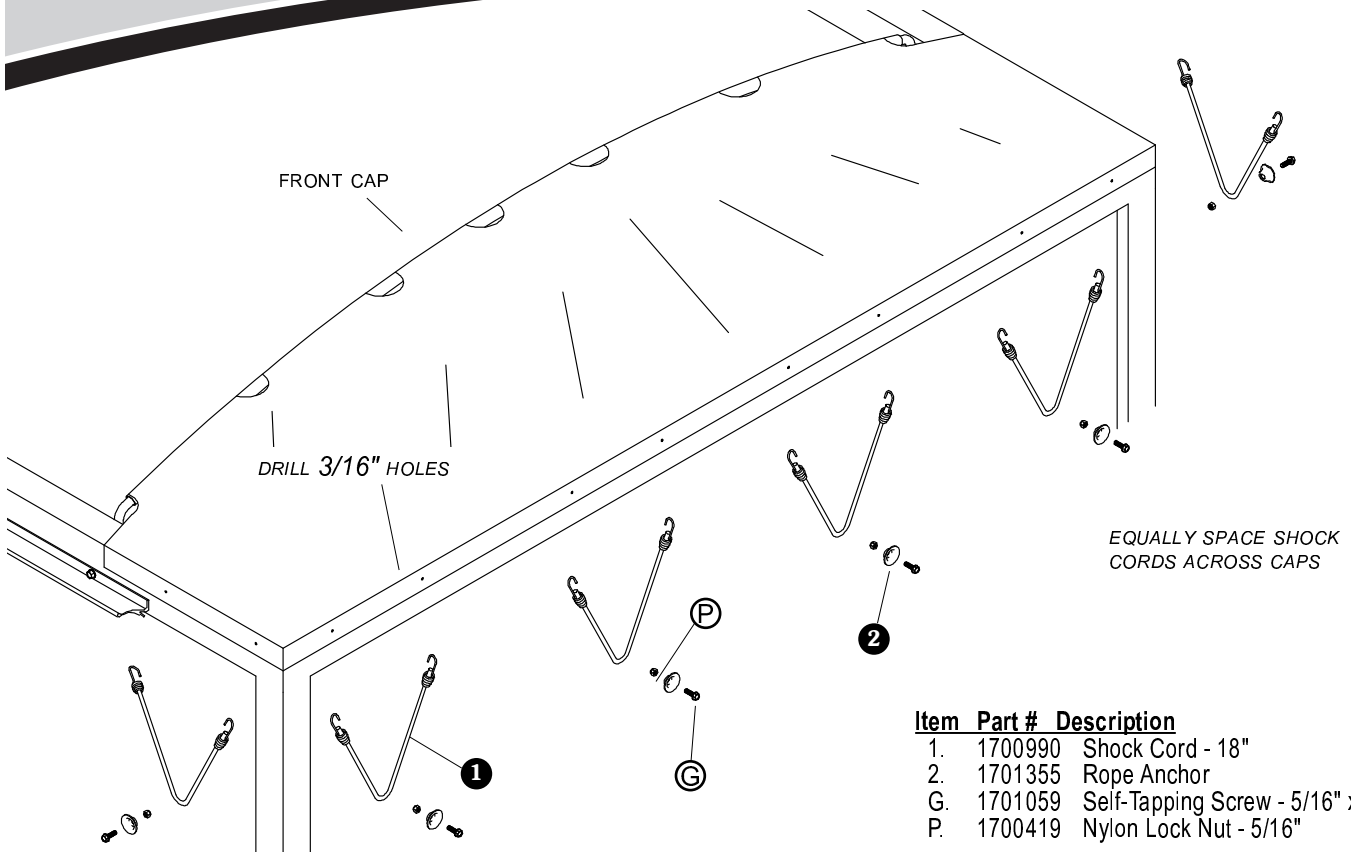
STEP 6: With tarp hanging over edge of box, pull stretch cord to remove slack in roll return assembly. Tie knot 6" to 12" from end of cord.

STEP 7: Slide protective cover over stretch cord.

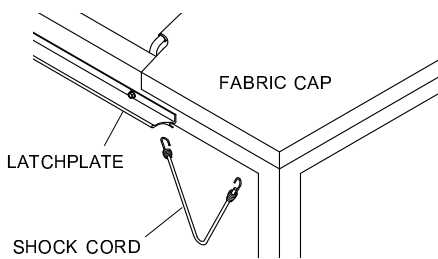
STEP 8: Thread stretch cord through eye bolt. Tie knot on end of cord, creating enough tension to lift roll return slightly.



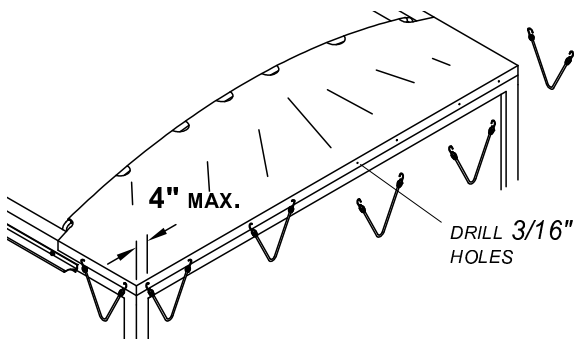
STEP 9: Test operation. Cut excess stretch cord and melt any frayed ends.



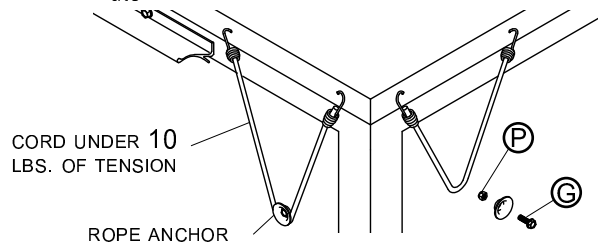
STEP 1: Locate one shock cord on each side of cap, as close as possible to center of cap without touching latchplate.



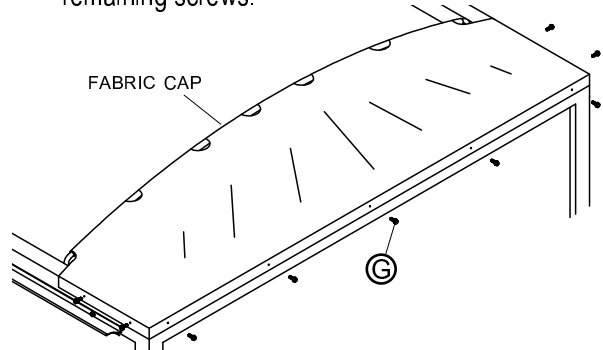
STEP 2: Equally space remaining shock cords across face of fabric cap. Drill 3/16" holes through aluminum flat bar and hook shock cords into holes.



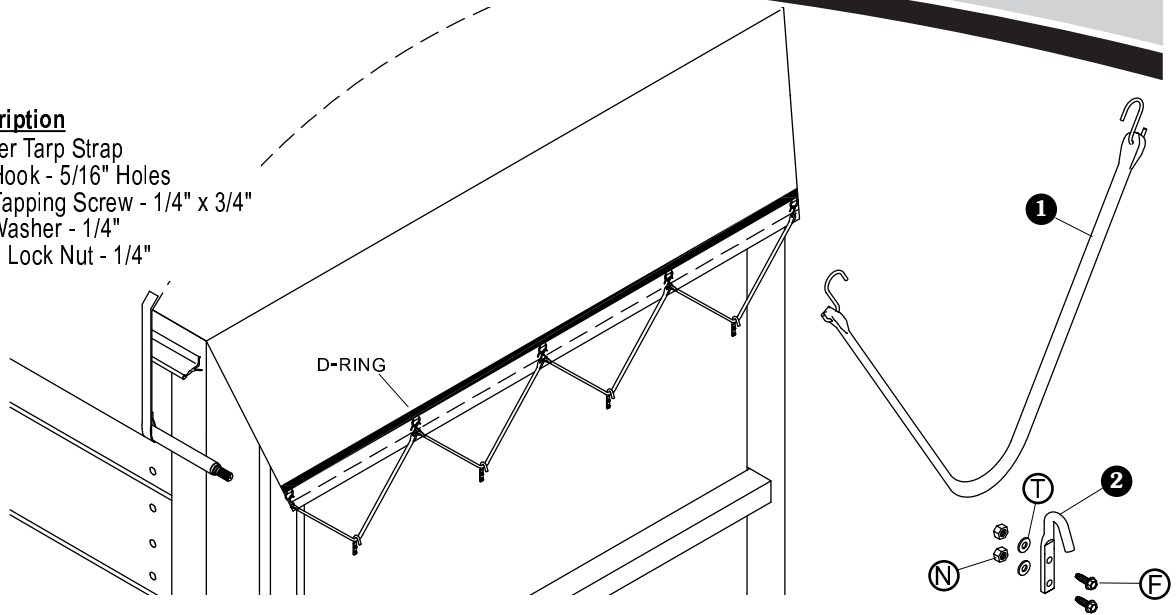
STEP 3: Locate rope anchors so shock cords will receive at least 10 pounds of force pulling on them. Drill 1/4" holes and fasten rope anchors with screws **G** and nuts **P**.



Alternate method: Drill 5/16" holes through aluminum flat bar and fasten cap to box with screws **G**. Install two screws **G** on each side of cap and equally space remaining screws.

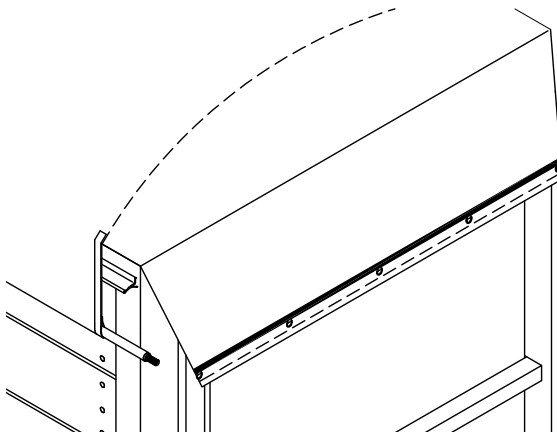


Item	Part #	Description
1.	1700650	Rubber Tarp Strap
2.	1700682	Box Hook - 5/16" Holes
F.	1700403	Self-Tapping Screw - 1/4" x 3/4"
T.	1700427	Flat Washer - 1/4"
N.	1701543	Nylon Lock Nut - 1/4"

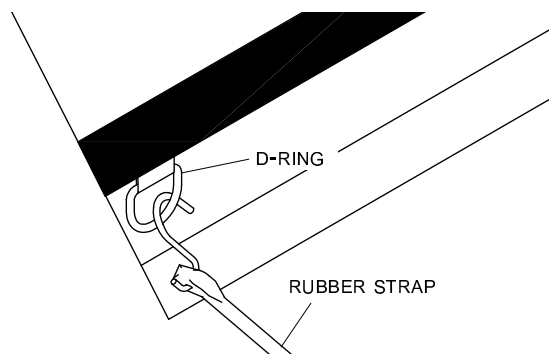


STEP 1: Install rear bow and bow brackets per bow instructions, locating bow as close to rear of trailer as possible without interfering with gate hinges. Align bow height with height of previously installed bows.

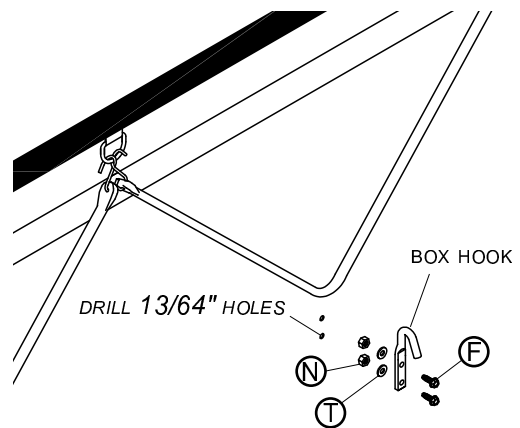
STEP 2: Roll tarp closed over bows. Pull poorboy tail flap square over rear of box.



STEP 3: Hook rubber straps into D-rings on poorboy tail.

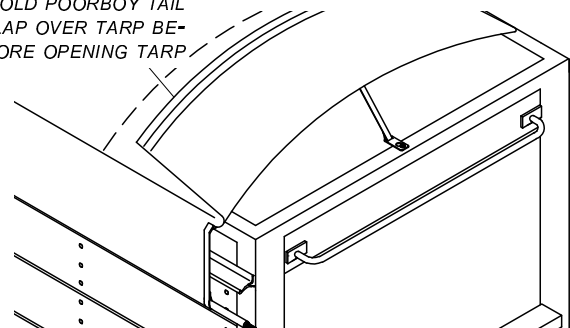


STEP 4: Locate and install box hooks so rubber straps will have at least 10 pounds of force pulling on them. Drill 13/64" holes and fasten box hooks with 1/4" screws (F), washers (T) and nuts (N).

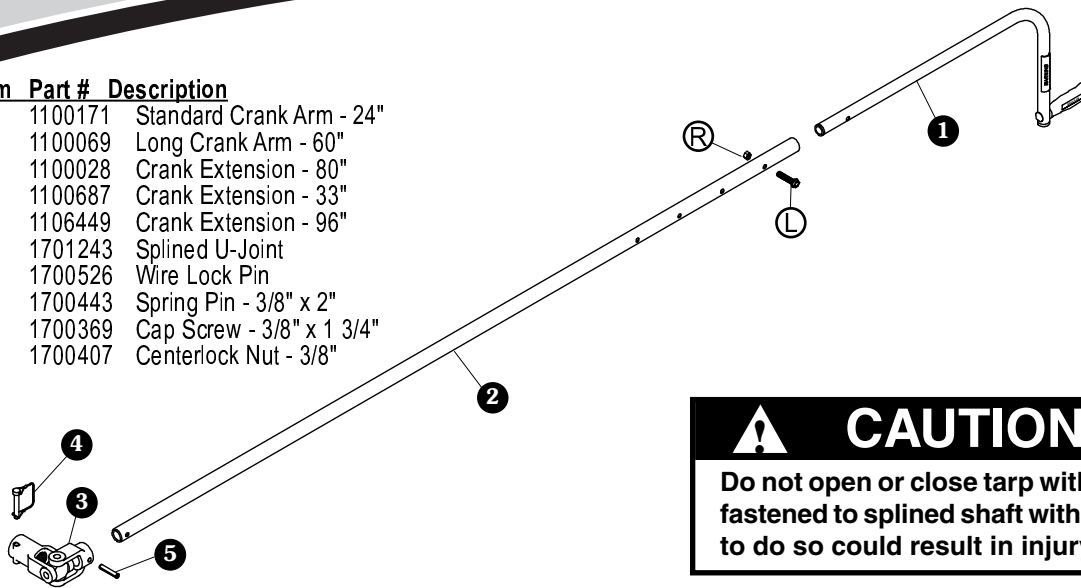


STEP 5: Release rubber straps from box hooks and fold flap over tarp before rolling tarp open. Close tarp and secure rubber straps to box hooks before traveling.

FOLD POORBOY TAIL FLAP OVER TARP BEFORE OPENING TARP

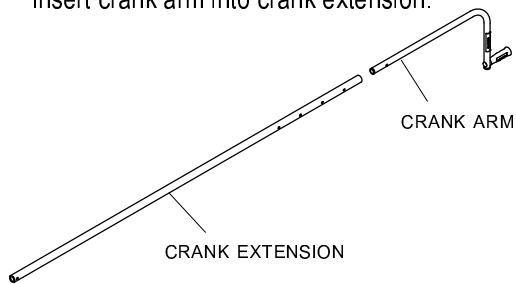


Item	Part #	Description
1.	1100171	Standard Crank Arm - 24"
	1100069	Long Crank Arm - 60"
2.	1100028	Crank Extension - 80"
	1100687	Crank Extension - 33"
	1106449	Crank Extension - 96"
3.	1701243	Splined U-Joint
4.	1700526	Wire Lock Pin
5.	1700443	Spring Pin - 3/8" x 2"
L.	1700369	Cap Screw - 3/8" x 1 3/4"
R.	1700407	Centerlock Nut - 3/8"

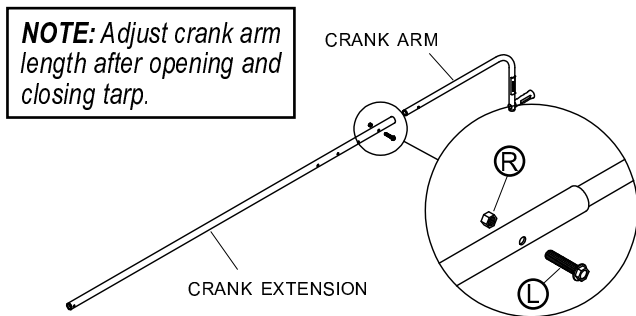


CAUTION
 Do not open or close tarp without U-joint securely fastened to splined shaft with wire lock pin. Failure to do so could result in injury.

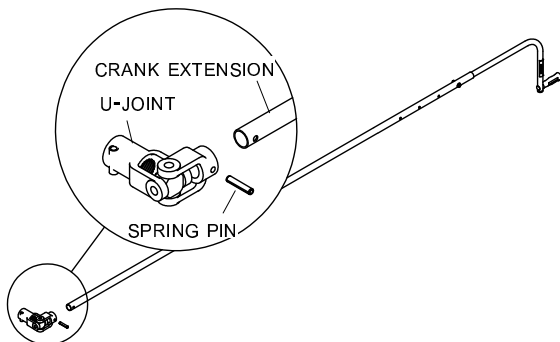
STEP 1: Insert crank arm into crank extension.



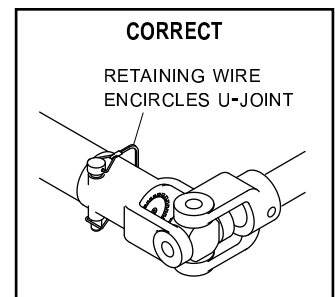
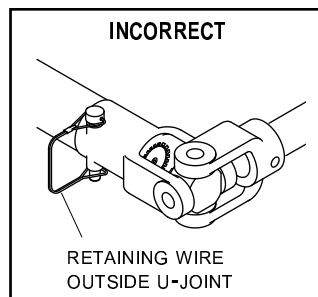
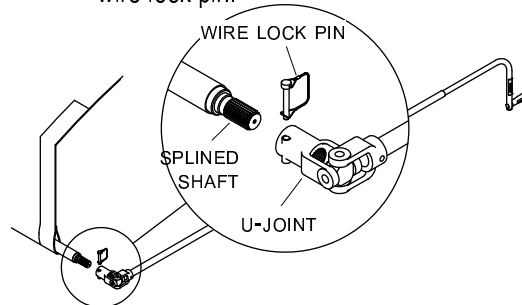
STEP 2: Fasten with screw (L) and nut (R). Finger tighten.



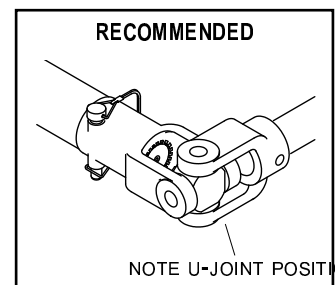
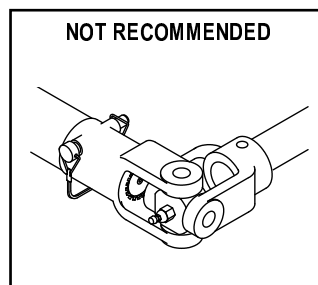
STEP 3: Insert crank extension with crank arm into splined U-joint. Secure with 3/8" x 2" spring pin.



STEP 4: Place splined U-joint on splined shaft. Secure with wire lock pin.

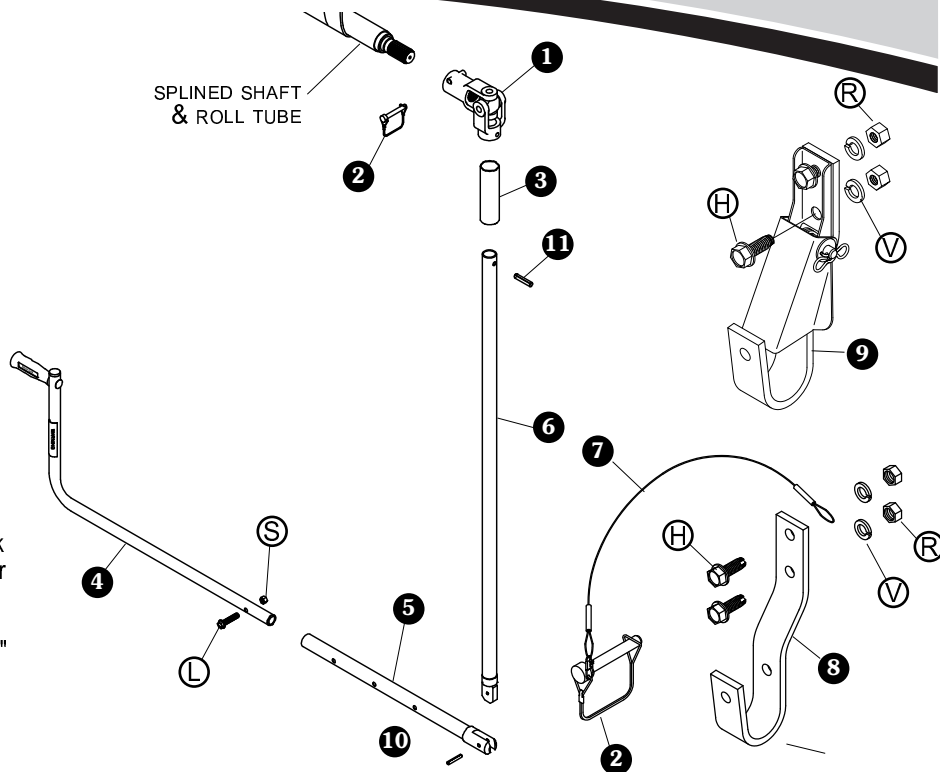


NOTE: U-joint is designed to operate as shown below at right and is able to withstand considerably more pressure in this position.

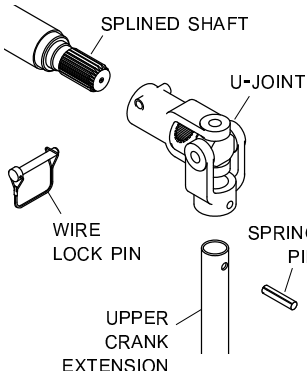


Item Part # Description

- 1. 1701243 Splined U-Joint
- 2. 1700526 Wire Lock Pin
- 3. 1101924 Lock Tube
- 4. 1100171 Standard Crank Arm
- 5. 1102691 Lower Crank Extension
- 6. 1105001 Upper Crank Extension - 40"
- 1105050 Upper Crank Extension - 54"
- 1105049 Upper Crank Extension - 96"
- 7. 1100574 Cable w/Interlock Snap
- 8. 1101930 Offset Crank Retainer J-Hook
- 9. 1114603 Pinless Offset Crank Retainer
- 10. 1701118 Spring Pin - 1/4" x 1 3/16"
- 11. 1700443 Spring Pin - 3/8" x 2"
- H. 1700400 Self-Tapping Screw - 3/8" x 1"
- L. 1700369 Cap Screw - 3/8" x 1 3/4"
- R. 1700407 Hex Nut - 3/8"
- S. 1700418 Centerlock Nut - 3/8"
- V. 1700434 Lock Washer - 3/8"

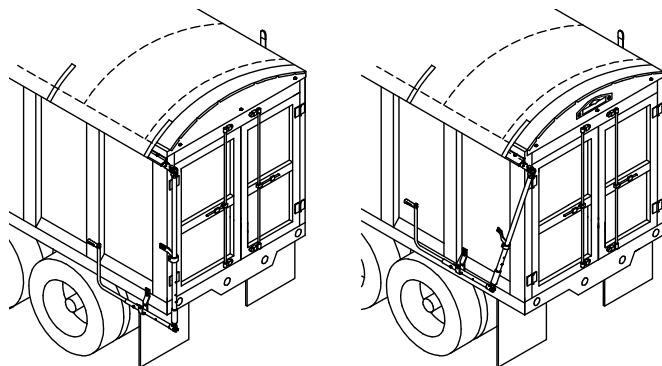


STEP 1: Slide lock tube over upper crank extension, then secure extension to U-joint with spring pin.



STEP 2: Secure U-joint to splined shaft on roll tube with wire lock pin. (See step 4 on page 26.)

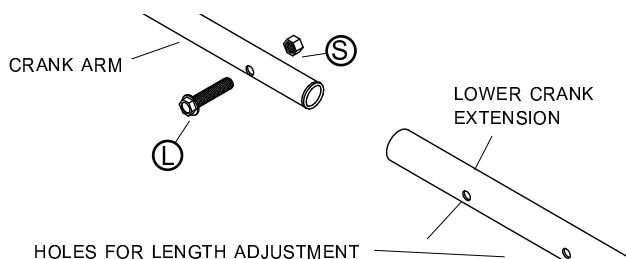
STEP 4: Locate crank retainers (offset or pinless offset) as shown on both passenger and driver side of box. Allow room for lock tube to slide, permitting knuckles to bend.



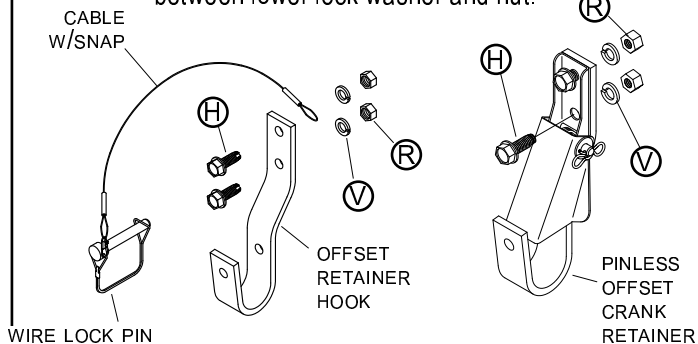
⚠ CAUTION

Do not open or close tarp without U-joint securely fastened to splined shaft with wire lock pin. Failure to do so could result in injury.

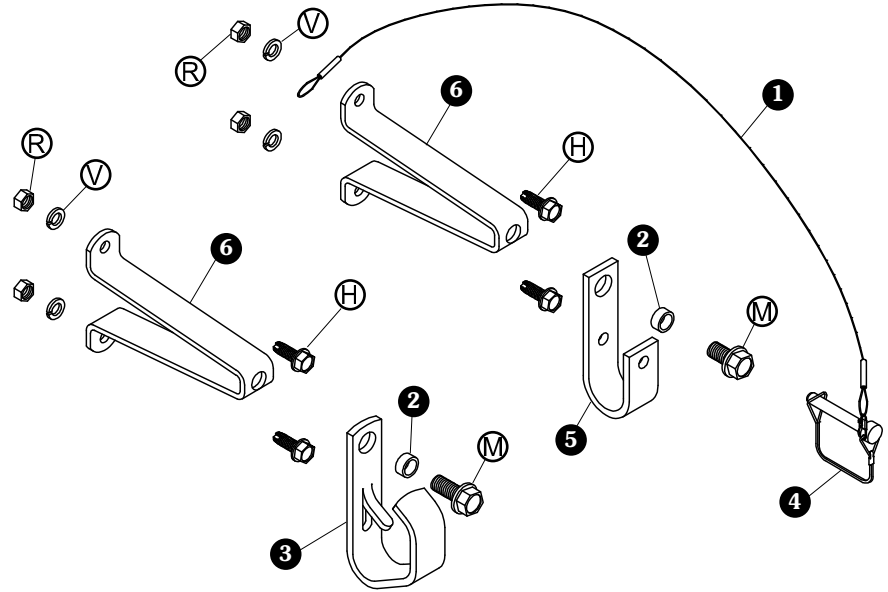
STEP 3: Insert lower crank extension into crank arm. Fasten with screw (L) and nut (S).



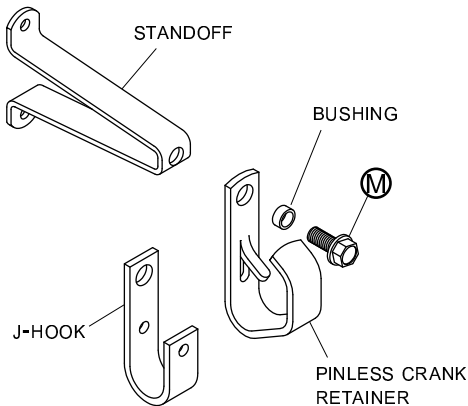
STEP 5: Mount retainers with screws (H), lock washers (V) and nuts (R). Attach cable with snap for offset retainer between lower lock washer and nut.



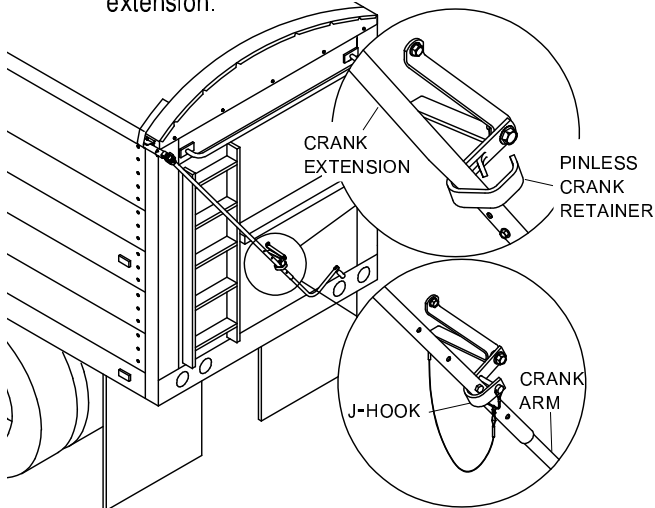
Item	Part #	Description
1.	1100574	Cable w/Snap
2.	1100306	Retainer Bushing
3.	1107049	Pinless Crank Retainer
4.	1700526	Wire Lock Pin
5.	1100040	Crank Retainer J-Hook
6.	1100033	Crank Retainer Standoff - 7"
	1109478	Crank Retainer Standoff - 11"
	1100137	Crank Retainer Standoff - 2"
	1107080	Crank Retainer Standoff - 3"
H.	1700400	Self-Tapping Screw - 3/8" x 1"
R.	1700407	Hex Nut - 3/8"
M.	1702996	Flanged Cap Screw - 1/2" x 1 1/4"
V.	1700434	Lock Washer - 3/8"



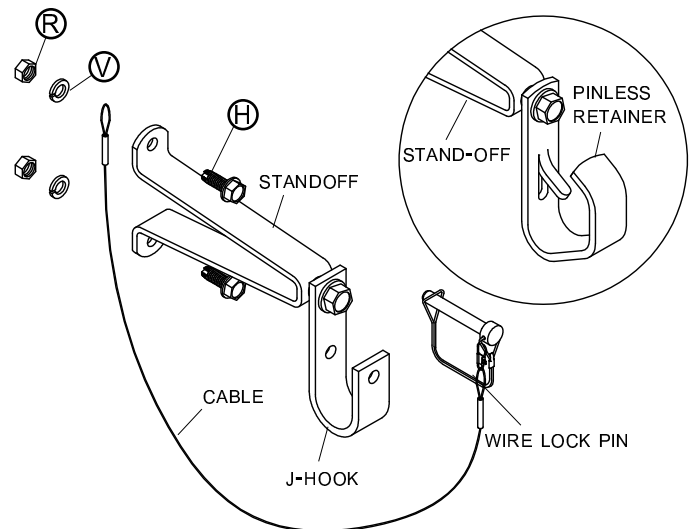
STEP 1: Assemble crank retainer standoff, bushing and pinless crank retainer or J-hook with screw (M).



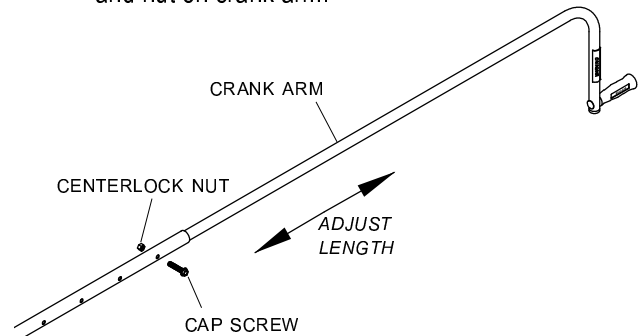
STEP 2: Determine crank retainer location on rear of box, positioning crank retainer above crank arm on crank extension.

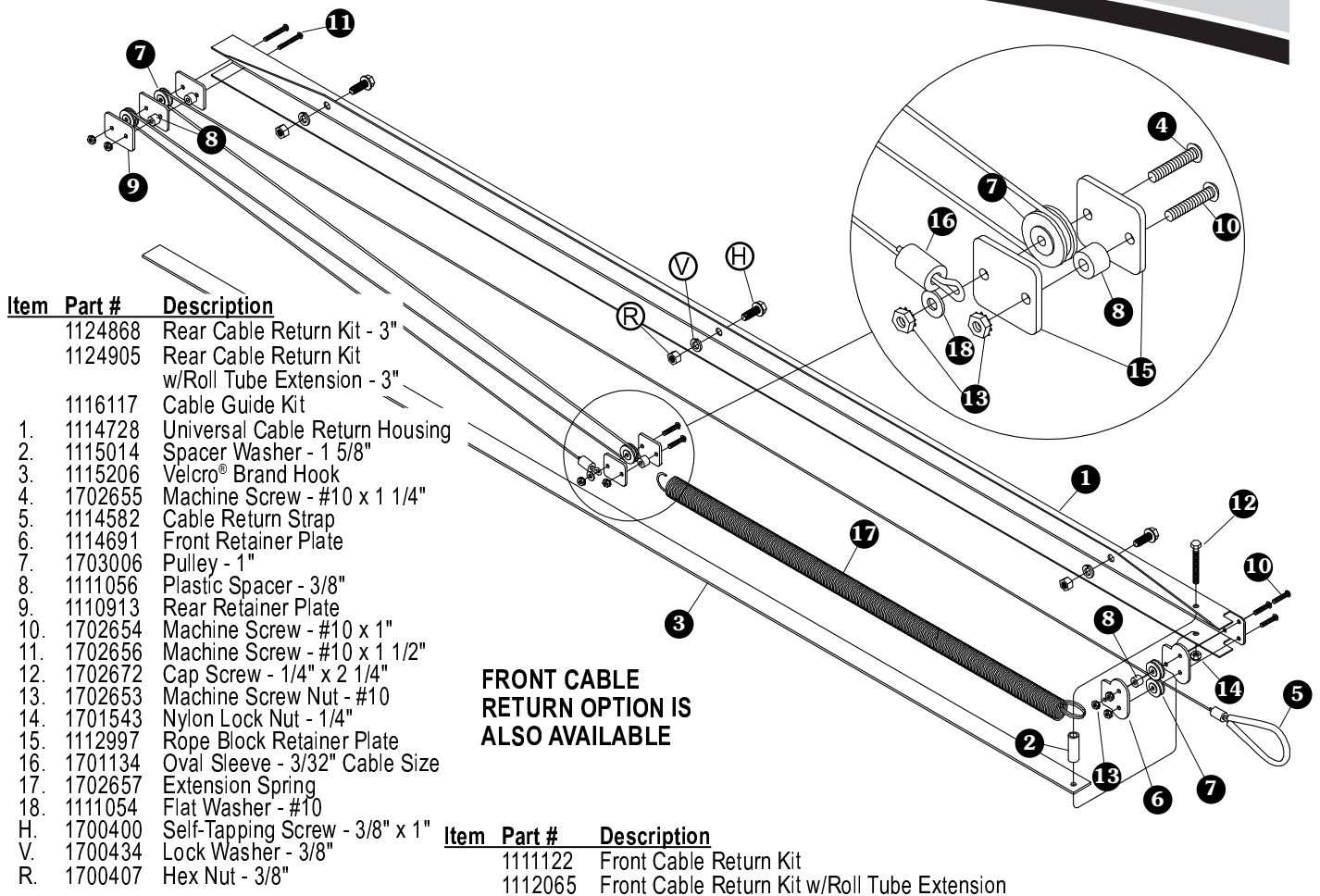


STEP 3: Mark and drill 5/16" holes and fasten retainer to box with screws (I), lock washers (V) and nuts (R). Assemble wire lock pin and cable. Fasten cable between box and standoff with screw (I).

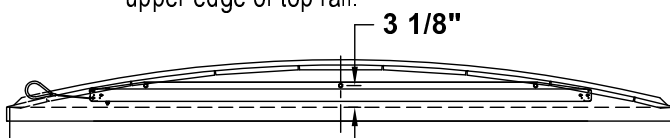


STEP 4: Adjust crank arm length, if required. Tighten screw and nut on crank arm.





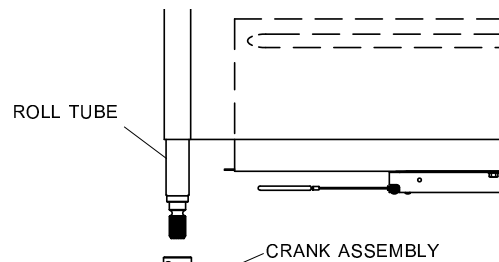
STEP 1: Mark point on center line of face panel 3 1/8" above upper edge of top rail.



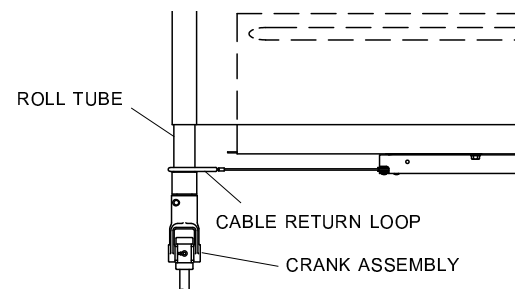
- STEP 2:** Center punch and drill 13/32" hole at mark.
- STEP 3:** Align center mounting hole on return to drilled hole in cap and fasten with screw ①, lock washer ② and nut ③.
- STEP 4:** Align cable return parallel with top rail on box.
- STEP 5:** Mark mounting holes and repeat steps 2 and 3.
- STEP 6:** Release tarp from latchplate and let hang over side of trailer.

TIPS - Install spacer, such as S/40 PVC pipe, to align cable with pulleys and/or separate cable loop from weld. Adjust cable to prevent rubbing on objects and fraying. Remove weld spatter or debris from roll tube. Replace cable assembly every two years. Roll tube must extend at least 4" past front of trailer - purchase 4' roll tube P/N 1111719, if required.

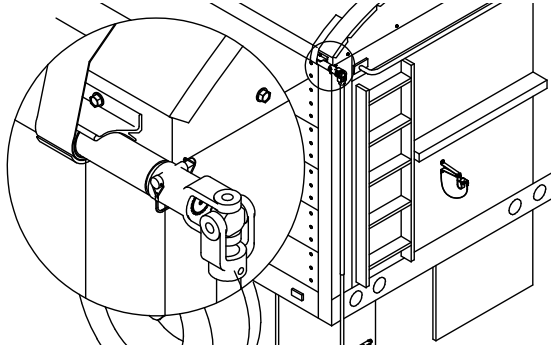
STEP 7: Remove crank assembly from roll tube.



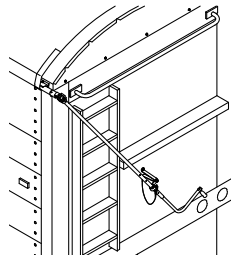
STEP 8: Slide cable return loop over roll tube and reinstall crank assembly.



STEP 1: Hold crank firmly with both hands and roll tarp closed under latchplate. Bring crank handle down perpendicular to ground.

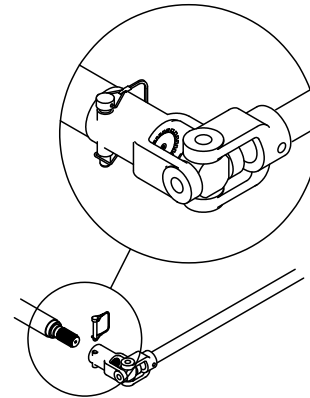
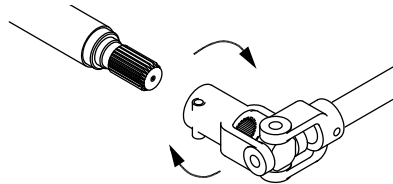


STEP 2: Tighten tarp by lifting crank handle up into crank retainer.



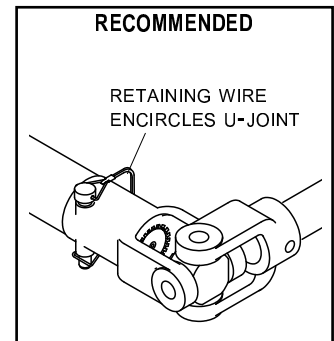
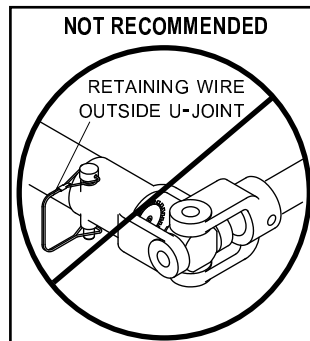
STEP 3: Check tarp tension. It should take 40 to 60 pounds of pressure to force crank handle into crank retainer. Crank extension will bend 1/8".

STEP 4: Adjust tension, if required, by removing U-joint from splined shaft, rotating U-joint one tooth and replacing it onto splined shaft.

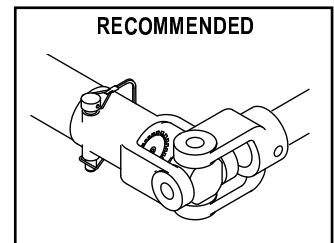
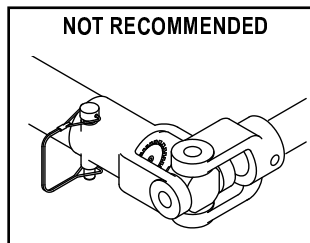


STEP 5: Repeat steps 3 and 4 until correct tension is achieved.

STEP 6: Secure U-joint to splined shaft with wire lock pin.



NOTE: U-joint is designed to operate as shown below at right and is able to withstand considerably more pressure in this position.



NOTE: Monitor tarp tension daily to prevent premature tarp wear.

CRANK SAFETY



CAUTION

Do not open or close tarp without U-joint securely fastened to splined shaft with wire lock pin.

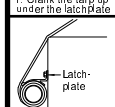
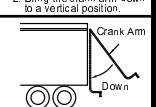
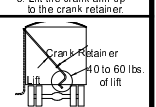
CAUTION

Uncontrolled crank spin. Hold crank firmly with both hands while operating. Failure to do so may result in minor or moderate injury.

ATTENTION!

THE TARP MUST BE KEPT TO A RECOMMENDED 40-60 LBS. OF TENSION OR EXCESSIVE TARP WEAR MAY OCCUR. DO NOT WALK OR STAND ON THE END CAPS.

DO NOT OPERATE THIS VEHICLE, AT HIGHWAY SPEEDS WHILE THE TARP SYSTEM IS IN THE "OPEN" POSITION!

<p>1. Crank the tarp up under the latchplate</p> 	<p>2. Bring the crank arm down to a vertical position.</p> 	<p>3. Lift the crank arm up to the crank retainer.</p> 	<p>To Adjust The Tarp Tension:</p> <ol style="list-style-type: none"> 1. Allow the tarp to roll down away from the latchplate. 2. Remove the crank arm from the splined shaft. 3. Rotate the crank one or two teeth and reassemble.
--	---	--	--

Shur-Co., Yankton, SD 1-800-4 SHUR-LOK

NOTE: Install warning decal shown above near crank retainer on box or all warranty claims will be void.

END CAPS - STAINLESS STEEL & ALUMINUM

Item	Part #	Description
	1107785	Alum. Cap Mounting Hardware w/Trim Seal - 110"
	1107786	Alum. Cap Mounting Hardware w/Trim Seal - 132"
	1107787	Metal Cap Mounting Hardware - Bolt Kit
1.	1100165	Trim Seal - 110"
	1100357	Trim Seal - 132"
	1700152	Trim Seal (per foot)
2.	1700400	Self-Tapping Screw - 3/8" x 1"
	1703579	Stainless Cap Screw - 3/8" x 1"
3.	1700434	Lock Washer - 3/8"
	1703576	Stainless Lock Washer - 3/8"
4.	1700407	Hex Nut - 3/8"
	1200999	Stainless Hex Nut - 3/8"
5.	1701238	Rubber Windshield (per foot)

Aluminum Front Caps

6.	1107396	Square Corner Front Cap - 94" Wide - Low Rise
	1107395	Square Corner Front Cap - 95" Wide - Low Rise
	1107406	Square Corner Front Cap - 96" Wide - Low Rise
	1107480	Square Corner Front Cap - 102" Wide - High Rise
	1107493	Square Corner Front Cap - 96" Wide - High Rise
	1107514	Square Corner Front Cap - 102" Wide - High Rise
7.	*	Radius/Diag. Front - Up to 96" - Low or High Rise
	*	Radius/Diag. Front - 97" to 102" - Low or High Rise
8.	*	Universal Front - 96" - Flat, Low or High Rise
	*	Universal Front - 102" - Flat, Low or High Rise
9.	1107422	Square Corner Front Cap - 96" Wide - Flat
	1107510	Square Corner Front Cap - 102" Wide - Flat

Aluminum Back Caps

10.	1107417	Back Cap - 94" Wide - Low Rise
	1107420	Back Cap - 95" Wide - Low Rise
	1107426	Back Cap - 96" Wide - Low Rise
	1107483	Back Cap - 102" Wide - Low Rise
	1107501	Back Cap - 96" Wide - High Rise
	1107517	Back Cap - 102" Wide - High Rise
11.	1107421	Back Cap - 96" Wide - Flat
	1107512	Back Cap - 102" Wide - Flat

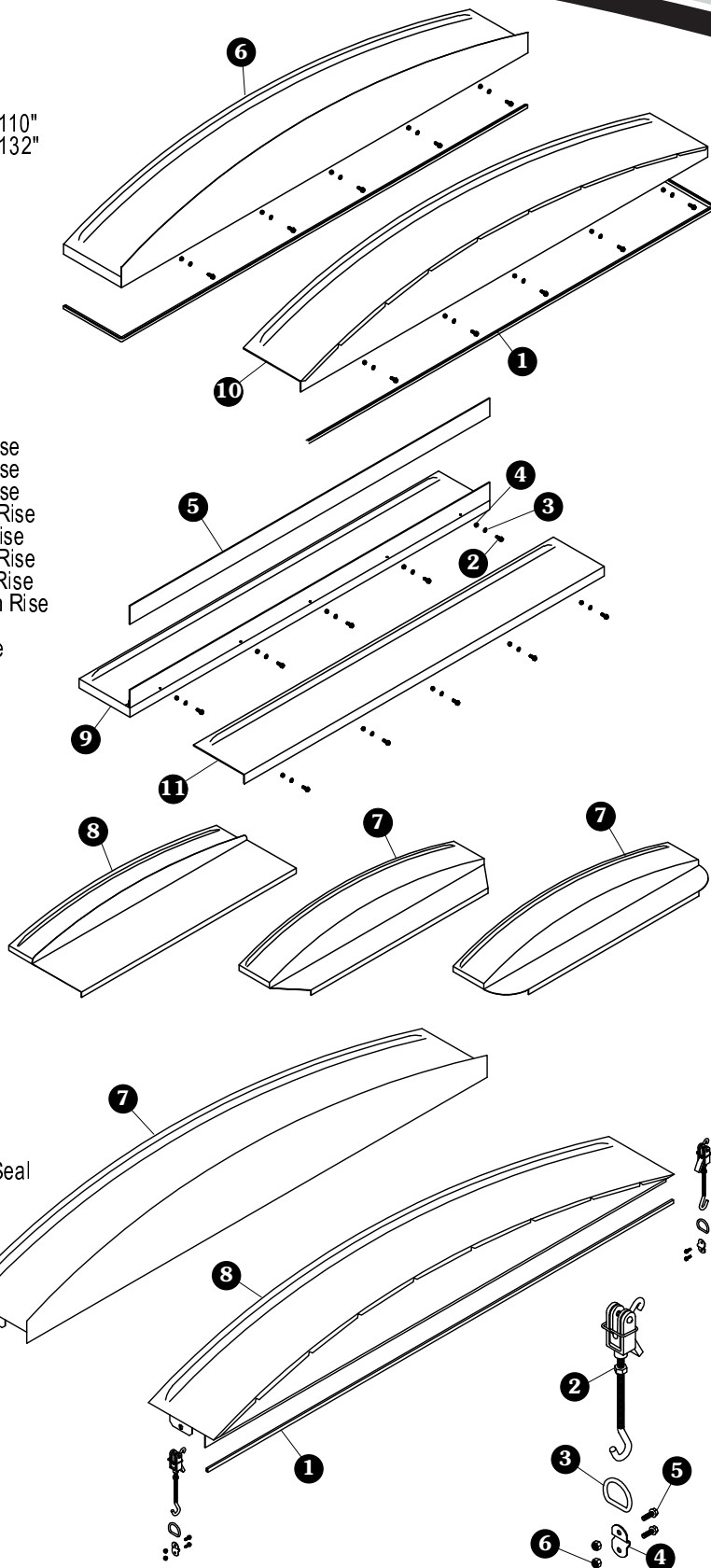
Stainless Steel Caps

*	Stainless Square Front Cap - Low Rise
*	Stainless Square Front Cap - High Rise
*	Stainless Square Back Cap - Low Rise
*	Stainless Square Back Cap - High Rise

* Specify size

END CAPS - ALUMINUM EASY-OFF

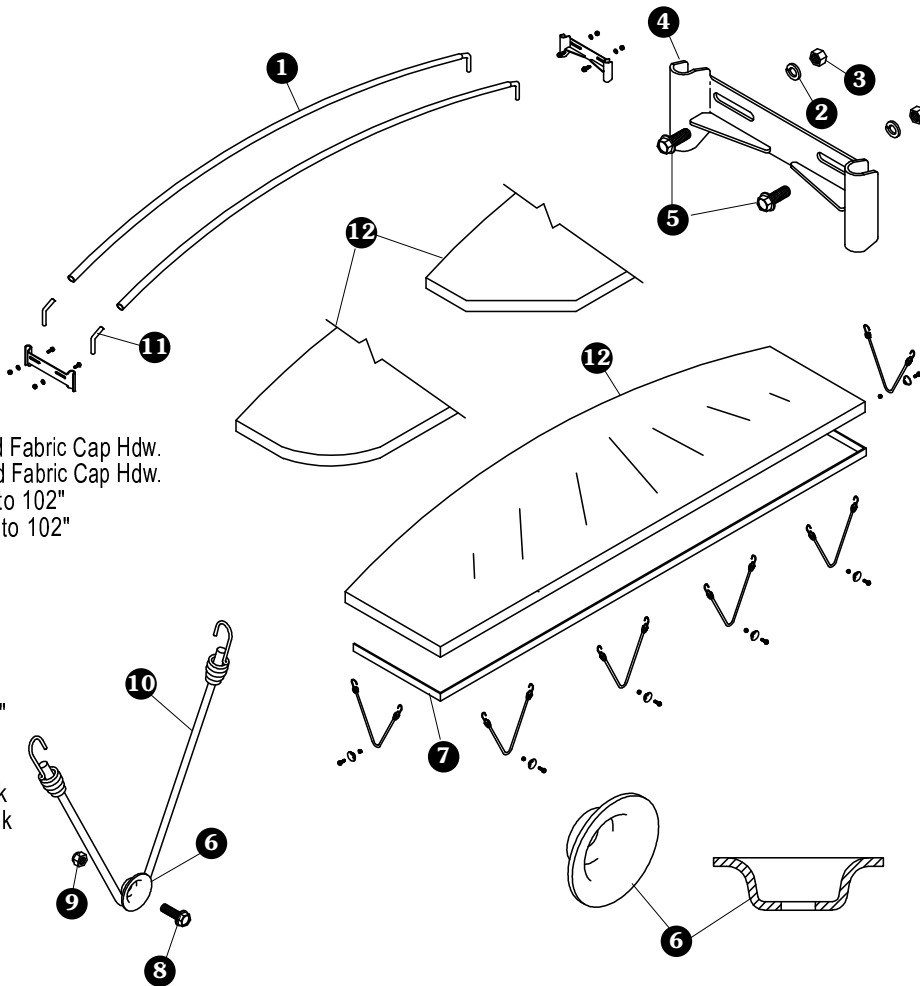
Item	Part #	Description
	1101934	Easy-Off Cap Mounting Hardware w/Rubber Seal
1.	1701115	Rubber Seal (per foot)
2.	1701113	Over-Center Clamp/Safety Clip
3.	1701218	D-Ring - 1 1/2"
4.	1701114	D-Ring Plate
5.	1701059	Self-Tapping Screw - 5/16" x 1"
6.	1700419	Nylon Lock Nut - 5/16"
Easy-Off Front Cap		
7.	1107534	Easy-Off Front Low-Rise - 94 1/2" to 96"
	1107540	Easy-Off Front High-Rise - 94 1/2" to 96"
	1107537	Easy-Off Front Low-Rise - 100" to 102"
	1107543	Easy-Off Front High-Rise - 100" to 102"
Easy-Off Back Cap		
8.	1107554	Easy-Off Back Low-Rise - 94 1/2" to 96"
	1107560	Easy-Off Back High-Rise - 94 1/2" to 96"
	1107557	Easy-Off Back Low-Rise - 100" to 102"
	1107563	Easy-Off Back High-Rise - 100" to 102"



END CAPS - FABRIC FRONT

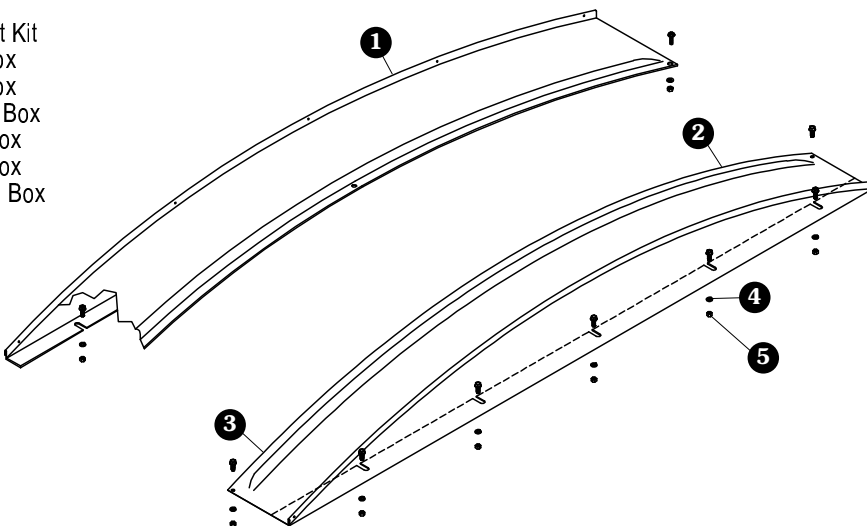
Item	Part #	Description
	1100642	Double Front Low-Rise Standard Fabric Cap Hdw.
	1100641	Double Front High-Rise Standard Fabric Cap Hdw.
1.	1100760	Standard Low-Rise Bow - 93" to 102"
	1100762	Standard High-Rise Bow - 96" to 102"
2.	1700434	Lock Washer - 3/8"
3.	1700407	Hex Nut - 3/8"
4.	1108211	Double Bow Bracket
5.	1700400	Self-Tapping Screw - 3/8" x 1"
6.	1701355	Rope Anchor
7.	1700581	Aluminum Flat Bar - 103"
8.	1701059	Self-Tapping Screw - 5/16" x 1"
9.	1700419	Nylon Lock Nut - 5/16"
10.	1700990	Shock Cord - 18"
11.	1100695	Standard Low-Rise Bow Shank
	1106925	Standard High-Rise Bow Shank
12.		Fabric Insert Only
	*	Square Front, 96"
	*	Square Front, 102"
	*	Radius/Diagonal Front - 96"
	*	Radius/Diagonal Front - 102"

* Specify size



END CAPS - GALVANIZED STEEL

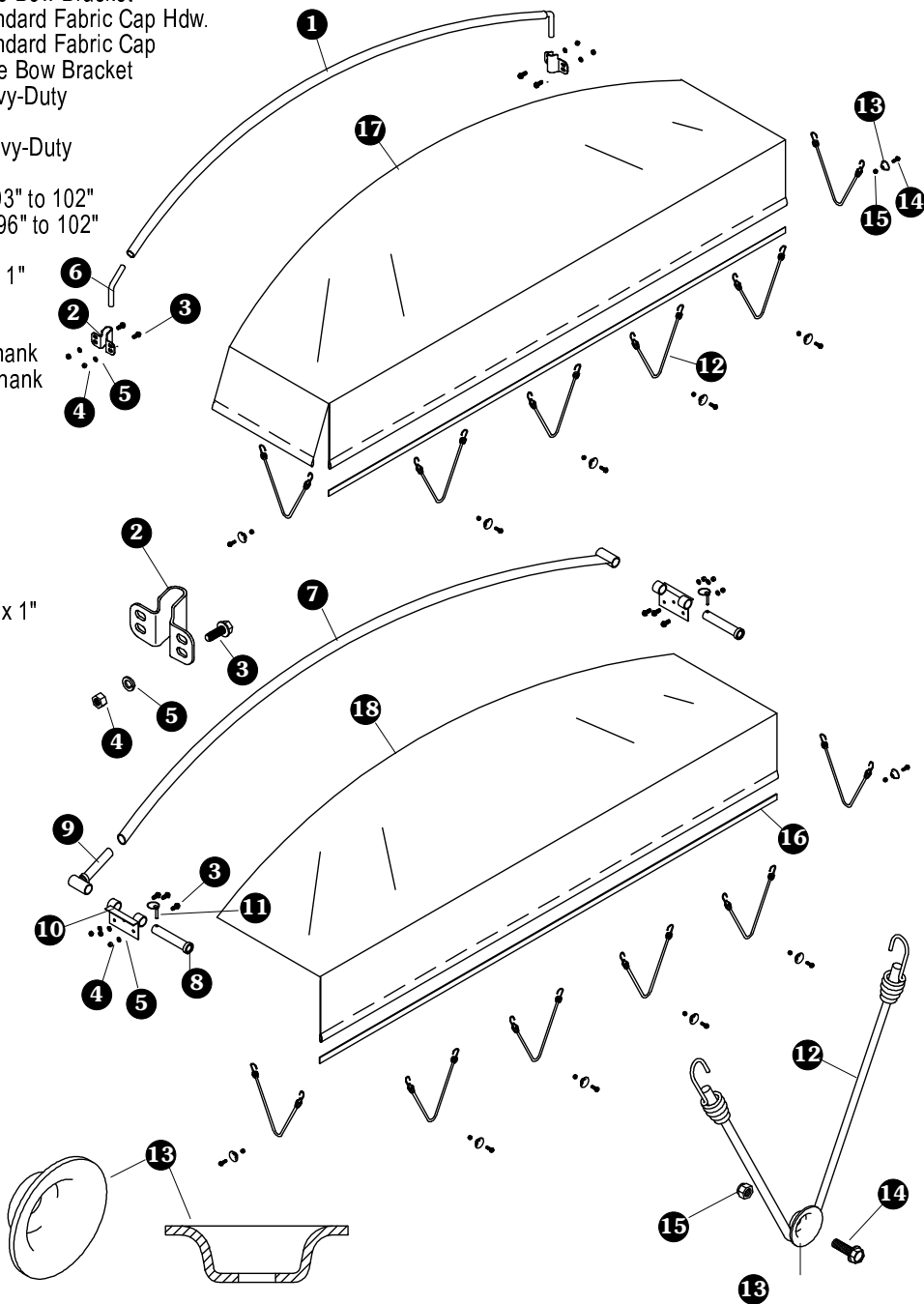
Item	Part #	Description
	1107787	Metal Cap Mounting Hardware - Bolt Kit
1.	1108977	Galvanized Low-Rise - 94" to 95" Box
	1108980	Galvanized Low-Rise - 96" to 97" Box
	1108983	Galvanized Low-Rise - 101" to 102" Box
2.	1108986	Galvanized High-Rise - 94" to 95" Box
	1108989	Galvanized High-Rise - 96" to 97" Box
	1108992	Galvanized High-Rise - 101" to 102" Box
3.	1700400	Self-Tapping Screw - 3/8" x 1"
4.	1700434	Lock Washer - 3/8"
5.	1700407	Hex Nut - 3/8"

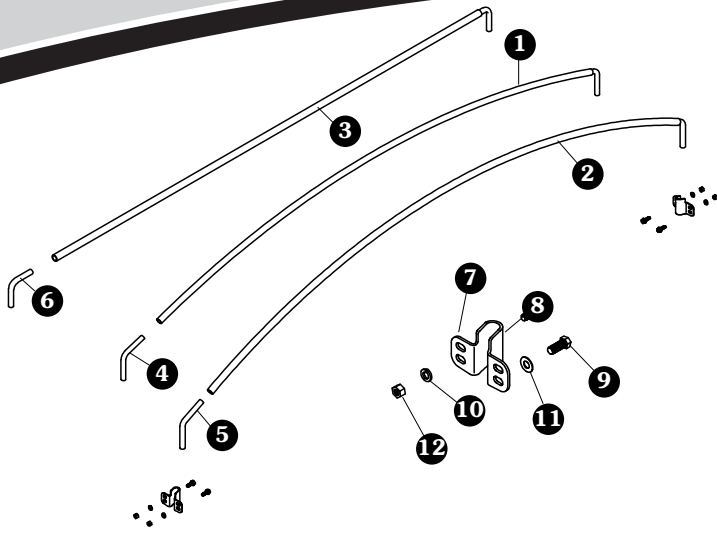


END CAPS - FABRIC BACK

Item	Part #	Description
	1100640	Single Back Low-Rise Standard Fabric Cap Hdw.
	1113359	Single Back Low-Rise Standard Fabric Cap Hardware - Universal Single Bow Bracket
	1100639	Single Back High-Rise Standard Fabric Cap Hdw.
	1113360	Single Back High-Rise Standard Fabric Cap Hardware - Universal Single Bow Bracket
	1102903	Single Back Low-Rise Heavy-Duty Fabric Cap/Flap Hdw.
	1102829	Single Back High-Rise Heavy-Duty Fabric Cap/Flap Hdw.
1.	1100760	Standard Low-Rise Bow - 93" to 102"
	1100762	Standard High-Rise Bow - 96" to 102"
2.	1120836	Single Bow Bracket
3.	1700400	Self-Tapping Screw - 3/8" x 1"
4.	1700407	Hex Nut - 3/8"
5.	1700434	Lock Washer - 3/8"
6.	1100695	Standard Low-Rise Bow Shank
	1106925	Standard High-Rise Bow Shank
7.	1106612	Heavy-Duty Low Rise Bow
	1101927	Heavy-Duty High Rise Bow
8.	1104123	Heavy-Duty Bow Pin
9.	1104706	Heavy-Duty Bow Shank
10.	1106614	Heavy-Duty Bow Bracket
11.	1701098	Lynch Pin - 5/16" x 1 3/4"
12.	1700990	Shock Cord - 18"
13.	1701355	Rope Anchor
14.	1701059	Self-Tapping Screw - 5/16" x 1"
15.	1700419	Nylon Lock Nut - 5/16"
16.	1700581	Aluminum Flat Bar - 103"
17.	*	Fabric Insert Only Square Back - 96" Square Back - 102"
18.	*	Fabric Flap Insert Only Dump Flap - 96" Dump Flap - 102"

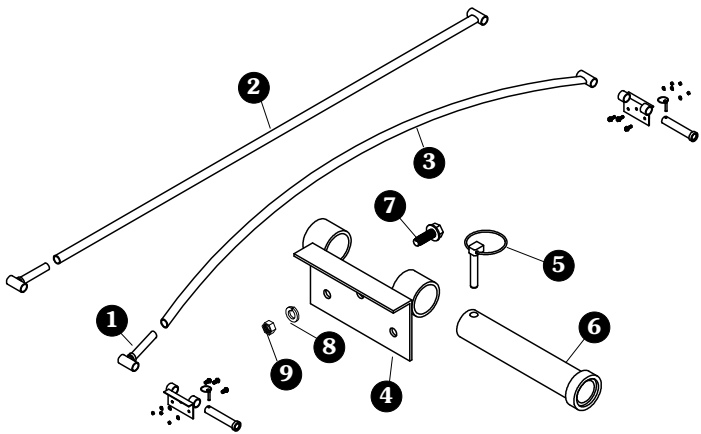
* Specify size





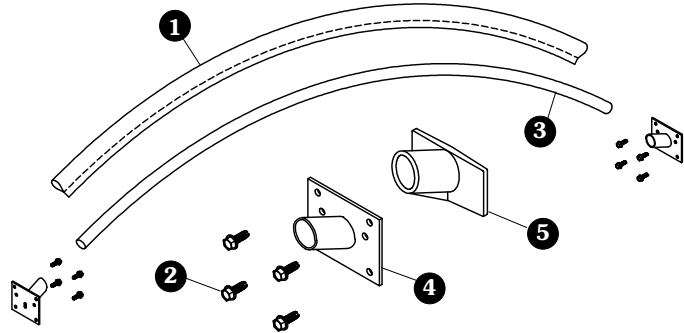
BOWS - STANDARD STEEL

Item	Part #	Description
	1111781	Standard Flat Bow Kit - 96" to 102"
	1100766	Standard Low-Rise Bow Kit - 93" to 102"
	1100768	Standard High-Rise Bow Kit - 96" to 102"
	1120353	Stainless Low-Rise Bow Kit - 93" to 102"
	1120356	Stainless High-Rise Bow Kit - 96" to 102"
	1109139	Standard Low-Rise Bow Kit - Universal
	1109091	Standard High-Rise Bow Kit - Universal
1.	1100760	Standard Low-Rise Bow - 93" to 102"
	1119765	Stainless Low-Rise Bow - 93" to 102"
2.	1100762	Standard High-Rise Bow - 96" to 102"
	1120290	Stainless High-Rise Bow - 96" to 102"
3.	1109149	Standard Flat Bow - 89" to 102"
4.	1100695	Standard Low-Rise Bow Shank
	1119766	Stainless Low-Rise Bow Shank
5.	1106925	Standard High-Rise Bow Shank
	1116754	Stainless High-Rise Bow Shank
6.	1109150	Standard Flat Bow Shank
7.	1120836	Single Bow Bracket
	1120975	Stainless Single Bow Bracket
8.	1700400	Self-Tapping Screw - 3/8" x 1"
9.	1703579	Stainless Cap Screw - 3/8" x 1"
10.	1700434	Lock Washer - 3/8"
	1703576	Stainless Lock Washer - 3/8"
11.	1703577	Stainless Flat Washer - 3/8"
12.	1700407	Hex Nut - 3/8"
	1200999	Stainless Steel Hex Nut - 3/8"



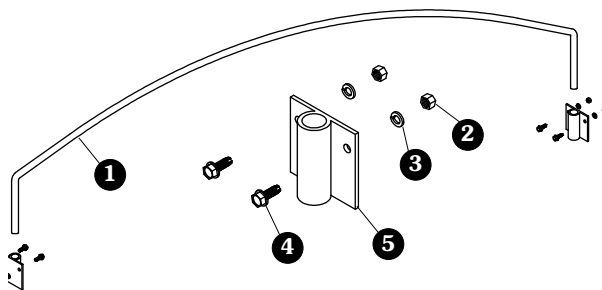
BOWS - HEAVY-DUTY

Item	Part #	Description
	1112667	Heavy-Duty Flat Bow Kit
	1106615	Heavy-Duty Low-Rise Bow Kit
	1102697	Heavy-Duty High-Rise Bow Kit
1.	1104706	Heavy-Duty Bow Shank
2.	1112669	Heavy-Duty Flat Bow
3.	1106612	Heavy-Duty Low-Rise Bow
	1101927	Heavy-Duty High-Rise Bow
4.	1106614	Heavy-Duty Bow Bracket
5.	1701098	Lynch Pin - 5/16" x 1 3/4"
6.	1104123	Heavy-Duty Bow Pin
7.	1700400	Self-Tapping Screw - 3/8" x 1"
8.	1700434	Lock Washer - 3/8"
9.	1700407	Hex Nut - 3/8"



BOWS - DURABOW™

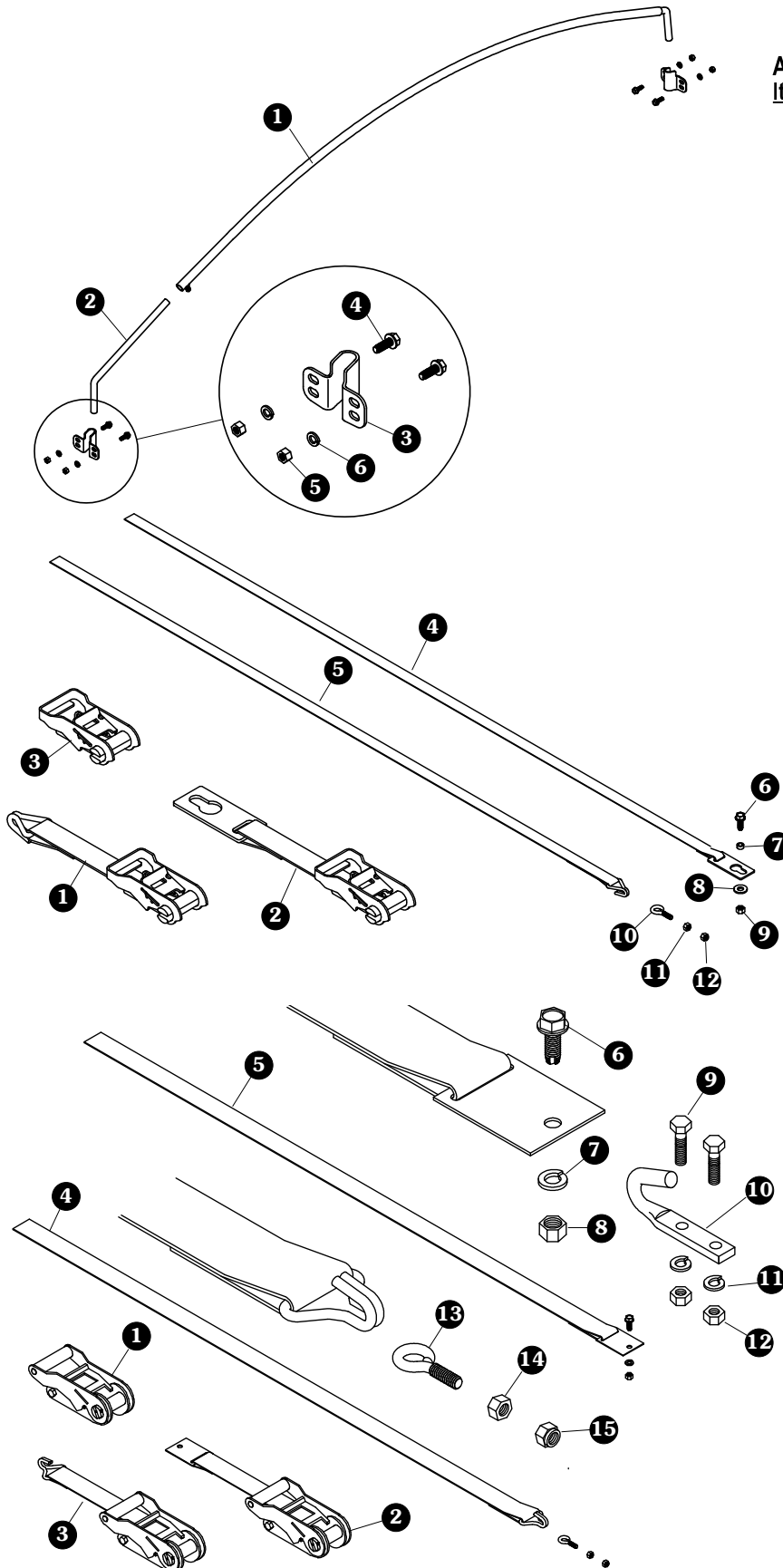
Item	Part #	Description
	1123544	Durabow™ 97" Bow Kit - Steel Bracket
	1123541	Durabow™ 102" Bow Kit - Steel Bracket
	1123545	Durabow™ 97" Bow Kit - Aluminum Bracket
	1123542	Durabow™ 102" Bow Kit - Aluminum Bracket
1.	1111335	Durabow™ Bow Sock
	1704046	Diamondback Durabow™ Bow Sock (per foot)
2.	1700400	Self-Tapping Screw - 3/8" x 1"
3.	1705128	Durabow™ - 97"
	1705129	Durabow™ - 102"
4.	1122932	Steel Durabow™ Bracket
5.	1705324	Aluminum Durabow™ Bracket



BOWS - ALUMINUM

Item	Part #	Description
1.	—*	Solid Aluminum Low-Rise Bow
	—*	Solid Aluminum High-Rise Bow
2.	1700407	Hex Nut - 3/8"
3.	1700434	Lock Washer - 3/8"
4.	1700400	Self-Tapping Screw - 3/8" x 1"
5.	1109110	Aluminum Bow Bracket

*Specify size



ADJUSTABLE BOWS

Item	Part #	Description
1.	1122759	Adjustable Bow - 8" Rise - 84" to 92"
	1122627	Adjustable Bow - 10" Rise - 84" to 92"
	1122818	Adjustable Bow - 8" Rise - 93" to 101"
	1122819	Adjustable Bow - 10" Rise - 93" to 101"
	1122820	Adjustable Bow - 12" Rise - 93" to 101"
2.	1122821	Adjustable Bow Shank - 108°
	1122626	Adjustable Bow Shank - 114°
	1122822	Adjustable Bow Shank - 117°
3.	1120836	Single Bow Bracket
4.	1700400	Self-Tapping Screw - 3/8" x 1"
5.	1700407	Hex Nut - 3/8"
6.	1700434	Lock Washer - 3/8"

RIDGE STRAPS - 1-INCH

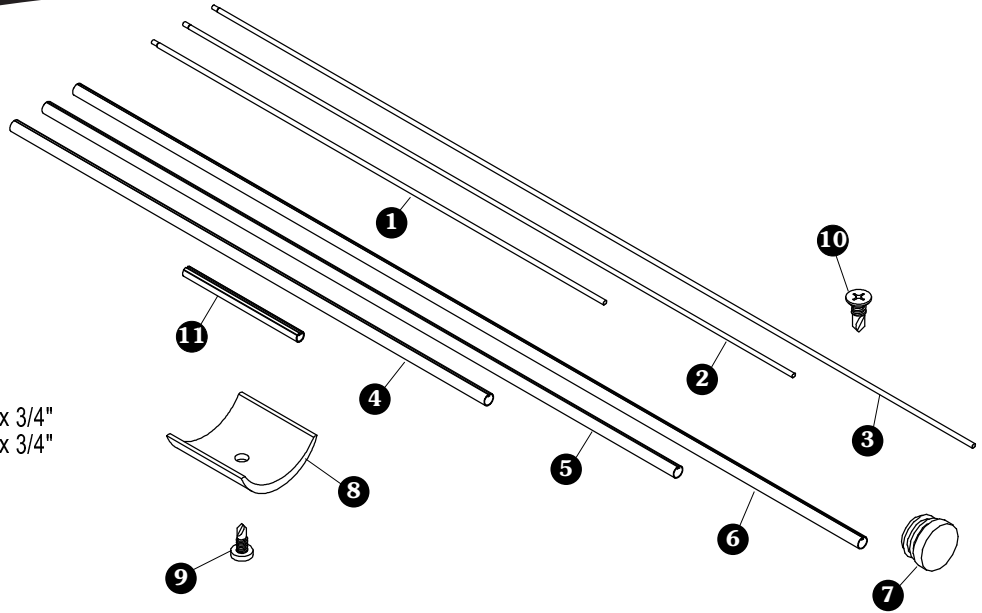
Item	Part #	Description
	1101685	Ridge Strap Kit w/Anchor - 1" x 25'
	1101686	Ridge Strap Kit w/Anchor - 1" x 39'
	1101687	Ridge Strap Kit w/Anchor - 1" x 46'
	1107068	Ridge Strap Kit w/Anchor - 1" x 56'
	1101833	Ridge Strap Kit w/Hook - 1" x 46'
	1120048	Ridge Strap Kit w/Hook - 1" x 25'
	1120454	Ridge Strap Kit w/Hook - 1" x 56'
1.	1106153	Ratchet w/1" Ridge Strap/Hook
2.	1101678	Ratchet w/1" Ridge Strap/Anchor
3.	1700836	Ratchet - 1" Ridge Strap
4.	1101680	Ridge Strap w/Anchor - 1" x 25'
	1101681	Ridge Strap w/Anchor - 1" x 39'
	1101682	Ridge Strap w/Anchor - 1" x 46'
	1107066	Ridge Strap w/Anchor - 1" x 56'
5.	1150222	Ridge Strap w/Hook - 1" x 25'
	1101835	Ridge Strap w/Hook - 1" x 46'
	1116163	Ridge Strap w/Hook - 1" x 56'
6.	1700400	Self-Tapping Screw - 3/8" x 1"
7.	1101683	Anchor Bushing
8.	1701176	Flat Washer - 3/8"
9.	1700418	Centerlock Nut - 3/8"
10.	1700717	Eyebolt Anchor - 5/16"
11.	1700411	Hex Nut - 5/16"
12.	1700419	Nylon Lock Nut - 5/16"

RIDGE STRAPS - 2-INCH

Item	Part #	Description
	1100783	Ridge Strap Kit w/Anchor - 2" x 25'
	1100784	Ridge Strap Kit w/Anchor - 2" x 39'
	1100774	Ridge Strap Kit w/Anchor - 2" x 46'
	1107069	Ridge Strap Kit w/Anchor - 2" x 56'
	1111823	Ridge Strap Kit w/Hook - 2" x 46'
1.	1700519	Ratchet - 2" Web
2.	1100594	Ratchet w/2" Ridge Strap/Anchor
3.	1111818	Ratchet w/2" Ridge Strap/Hook
4.	1111817	Ridge Strap w/Hook - 2" x 46'
5.	1100571	Ridge Strap w/Anchor - 2" x 25'
	1100579	Ridge Strap w/Anchor - 2" x 39'
	1100580	Ridge Strap w/Anchor - 2" x 46'
	1107067	Ridge Strap w/Anchor - 2" x 56'
6.	1700400	Self-Tapping Screw - 3/8" x 1"
7.	1700434	Lock Washer - 3/8"
8.	1700407	Hex Nut - 3/8"
9.	1700381	Cap Screw - 1/4" x 1"
10.	1700682	Box Hook - 5/16" Holes
11.	1700436	Lock Washer - 1/4"
12.	1700408	Hex Nut - 1/4"
13.	1700717	Eyebolt Anchor - 5/16"
14.	1700411	Hex Nut - 5/16"
15.	1700419	Nylon Lock Nut - 5/16"

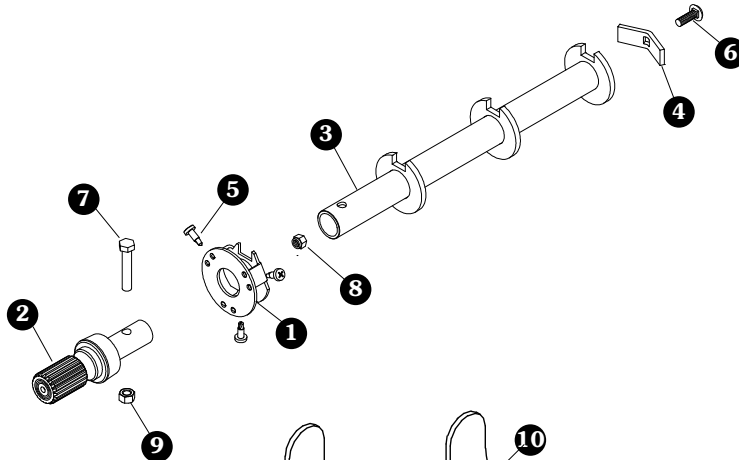
TARP TUBES

Item	Part #	Description
1.	1700051	Fixed Tube - 1 1/8" x 16'
2.	1700049	Fixed Tube - 1 1/8" x 20'
3.	1701428	Fixed Tube - 1 1/8" x 24'
4.	1704439	Roll Tube - 3" x 16'
5.	1704398	Roll Tube - 3" x 20'
6.	1704236	Roll Tube - 3" x 24'
7.	1700523	Plastic End Plug
8.	1701354	Plastic U-Clamp
9.	1700398	Self-Drilling Screw - 1/4" x 3/4"
10.	1704768	Self-Drilling Screw - 1/4" x 3/4"
11.	1704863	Roll Tube Splice - 3" x 3'



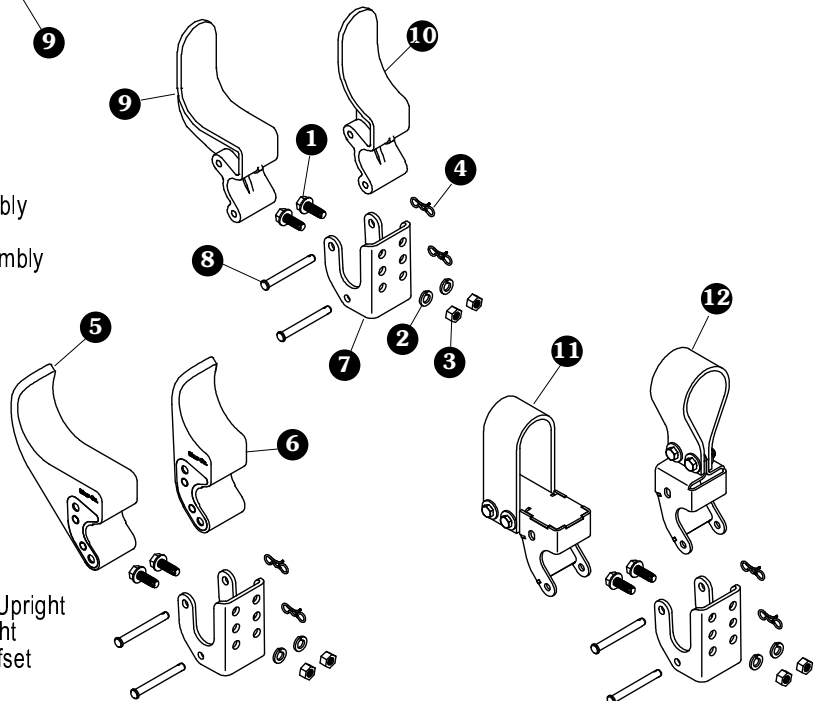
MANUAL CRANK ADAPTERS

Item	Part #	Description
1.	1121040	Roll Tube Cap - 3" Spline
2.	1121111	Manual Crank Spline - 3" Tube
3.	1121039	Cartridge - 3" Spline End
4.	1118194	Cartridge Clamp
5.	1705198	Self-Drilling Screw - 1/4" x 1"
6.	1704237	Carriage Bolt - 5/16" x 1"
7.	1704264	Cap Screw - 3/8" x 2"
8.	1704297	Nylon Lock Nut - 5/16"
9.	1702668	Top Lock Nut - 3/8"



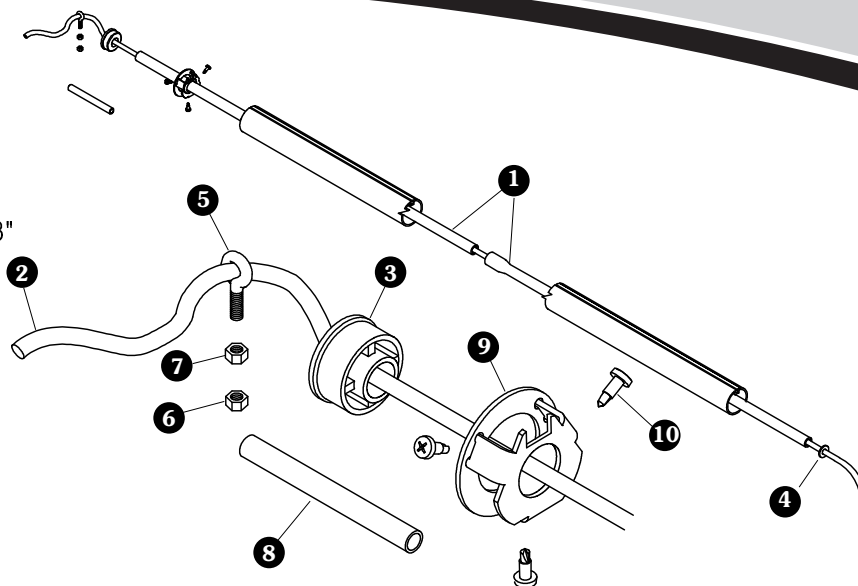
TARP STOPS

Item	Part #	Description
	1111094	Easy-Off Aluminum Tarp Stop Kit
	1111095	Easy-Off Aluminum 6" Offset Tarp Stop Kit
	1114047	Easy-Off Flexible Tarp Stop Kit
	1114388	Easy-Off Flexible 6" Offset Tarp Stop Kit
	1124768	Easy-Off Aluminum Tarp Stop Assembly
	1124771	Easy-Off Aluminum 6" Offset Tarp Stop Assembly
	1114017	Easy-Off Flexible Tarp Stop Assembly
	1114515	Easy-Off Flexible 6" Offset Tarp Stop Assembly
	1122278	Easy-Off Tarp Stop Kit - Belt Flex
	1123798	Easy-Off Tarp Stop Kit - Belt Flex - Offset
1.	1700400	Self-Tapping Screw - 3/8" x 1"
2.	1700434	Lock Washer - 3/8"
3.	1700407	Hex Nut - 3/8"
4.	1704380	Bowtie Cotter Pin - 1 3/8"
5.	1115217	Easy-Off Flexible 6" Offset Tarp Stop Upright w/Embedded Safety Plate
6.	1115216	Easy-Off Flexible Tarp Stop Upright w/Embedded Safety Plate
7.	1100833	Easy-Off Tarp Stop Body
8.	1703604	Clevis Pin - 5/16" x 2 7/8"
9.	1705454	Easy-Off Alum. (Cast) 6" Offset Tarp Stop Upright
10.	1705775	Easy-Off Aluminum (Cast) Tarp Stop Upright
11.	1123455	Tarp Stop Upright - Easy-Off Belt Flex - Offset
12.	1122260	Tarp Stop Upright - Easy-Off Belt Flex



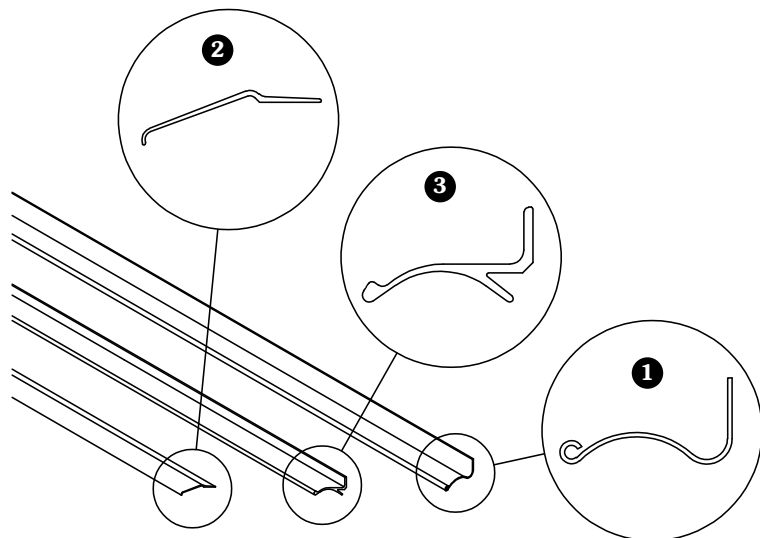
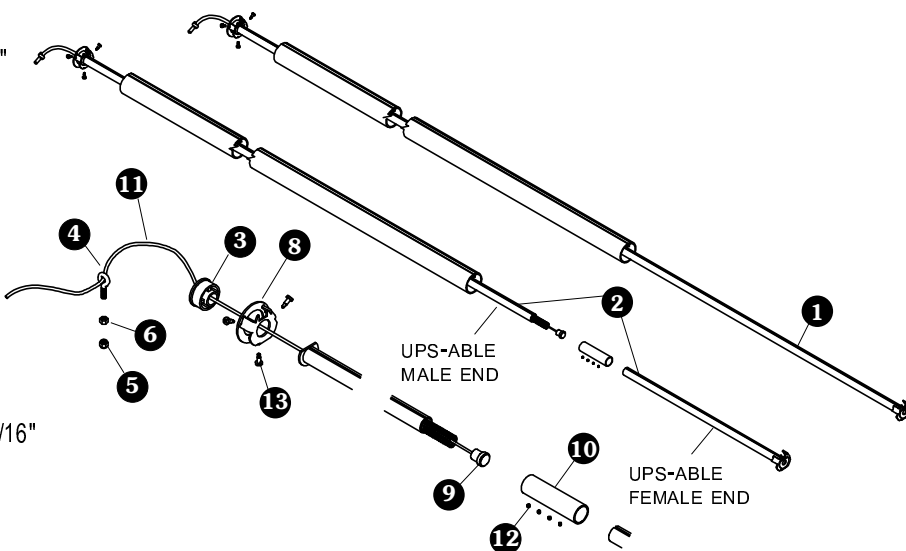
RETURNS - STRETCH CORD - 3"

Item	Part #	Description
	1124882	Front Stretch Cord Roll Return Kit - 3"
1	1111067	Roll Return Tube Set - 2 Pc.
2	1114360	Roll Return Stretch Cord - 11 1/2'
3	1100138	Nylon End Plug
4	1703373	Flat Washer - 1/2"
5	1700717	Eyebolt Anchor - 5/16"
6	1700419	Nylon Lock Nut - 5/16"
7	1700411	Hex Nut - 5/16"
8	1107680	Protective Stretch Cord Cover
9	1121041	Roll Tube Cap - 3"
10	1705198	Self-Drilling Screw - 1/4" x 1"



RETURNS - SHUR-RETURN™ - 3"

Item	Part #	Description
	1124875	Shur-Return™ Kit - 3"
	1124876	UPS-able Shur-Return™ Kit - 3"
1.	1122479	Shur-Return™ Tube Assembly - 3"
2.	1122665	UPS-able Tube Assembly - 3" (Spring - Rope)
3.	1100138	Nylon End Plug
4.	1700717	Eyebolt - 5/16"
5.	1700419	Nylon Lock Nut - 5/16"
6.	1700411	Hex Nut - 5/16"
7.	1704743	Self-Drilling Screw - #10 x 1/2"
8.	1121041	Roll Tube Cap - 3"
9.	1100827	Spring Retainer Plug
10.	1107879	Connector Sleeve
11.	1100826	Shur-Return™ Rope
12.	1701423	Hex Socket Set Screw - #10 x 3/16"
13.	1705198	Self-Drilling Screw - 1/4" x 1"

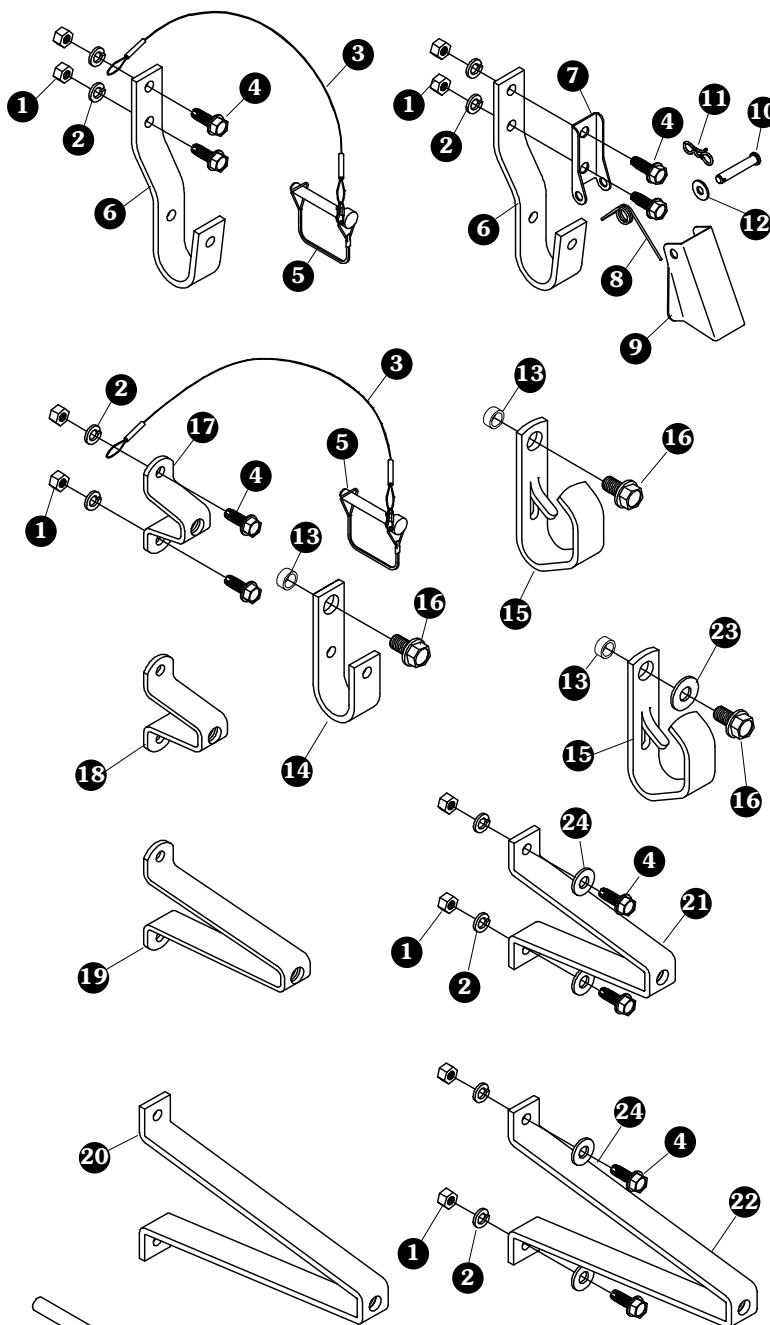


LATCHPLATES

Item	Part #	Description
1.	1701546	Galvanized Side-Mount Latchplate - 4'
	1113005	Galvanized Side-Mount Latchplate - 6'
	1701547	Galvanized Side-Mount Latchplate - 8'
2.	1100370	Aluminum Top-Mount Latchplate - 4'
	1100369	Aluminum Top-Mount Latchplate - 6'
	1100368	Aluminum Top-Mount Latchplate - 8'
3.	1100749	Aluminum Side-Mount Latchplate - 4'
	1700802	Aluminum Side-Mount Latchplate - 6'
	1700522	Aluminum Side-Mount Latchplate - 8'

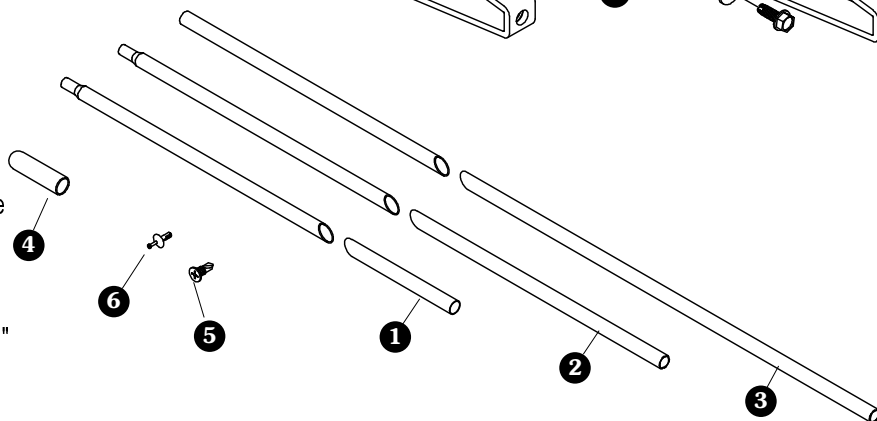
CRANK RETAINERS

Item	Part #	Description
	1100386	Crank Retainer Kit w/7" Standoff
	1100388	Crank Retainer Kit w/2" Standoff
	1107047	Pinless Crank Retainer Kit w/7" Standoff
	1107048	Pinless Crank Retainer Kit w/2" Standoff
	1107052	Pinless Crank Retainer Conversion Kit
	1101929	Offset Crank Retainer Kit
	1114603	Offset Pinless Crank Retainer Kit
	1114602	Offset Pinless Crank Retainer Conversion Kit
	1115515	Stainless Pinless Crank Retainer Kit w/7" Standoff
	1115516	Stainless Pinless Crank Retainer Kit w/11" Standoff
1.	1700407	Nut - 3/8"
	1200999	Stainless Nut - 3/8"
2.	1700434	Lock Washer - 3/8"
	1703576	Stainless Lock Washer - 3/8"
3.	1100574	Cable w/#5 Interlock Snap
4.	1700400	Self-Tapping Screw - 3/8" x 1"
	1703579	Stainless Cap Screw - 3/8" x 1"
5.	1700526	Wire Lock Pin - 3/8" x 2 1/2"
6.	1101930	Offset J-Hook - Crank Retainer
7.	1114599	Offset Pinless Crank Retainer Base Plate
8.	1703134	Tension Spring
9.	1114600	Offset Pinless Crank Retainer Lock
10.	1703133	Clevis Pin - 5/16" x 1 3/4"
11.	1704380	Bowtie Cotter Pin - 1 3/8"
12.	1700427	Flat Washer - 1/4"
13.	1100306	Retainer Bushing - 11/16"
14.	1100040	J-Hook Crank Retainer
15.	1107049	Pinless Crank Retainer
	1115514	Stainless Pinless Crank Retainer
16.	1702996	Cap Screw - 1/2" x 1 1/4"
	1703619	Stainless Cap Screw - 1/2" x 1 1/4"
17.	1100137	Crank Retainer Standoff - 2"
18.	1107080	Crank Retainer Standoff - 3"
19.	1100033	Crank Retainer Standoff - 7"
20.	1109478	Crank Retainer Standoff - 11"
21.	1115511	Stainless Crank Retainer Standoff - 7"
22.	1115513	Stainless Crank Retainer Standoff - 11"
23.	1703620	Stainless Flat Washer - 1/2"
24.	1703577	Stainless Flat Washer - 3/8"



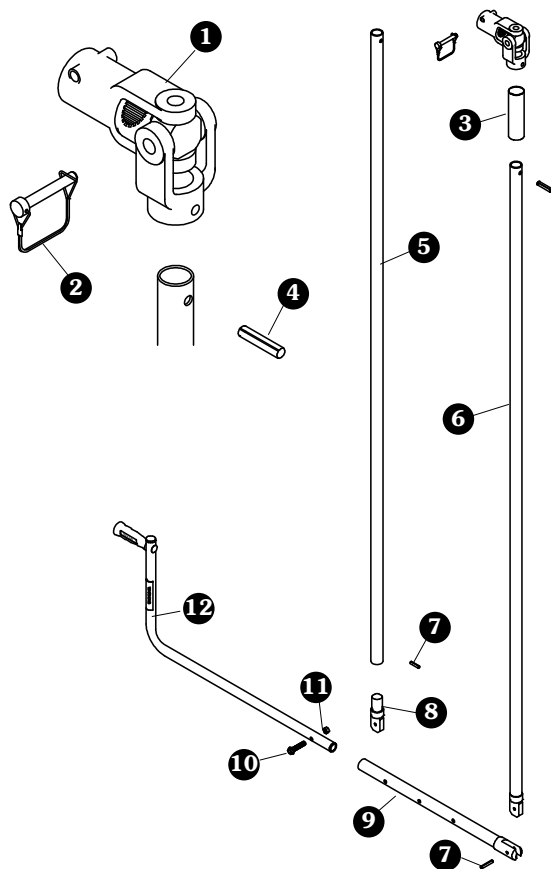
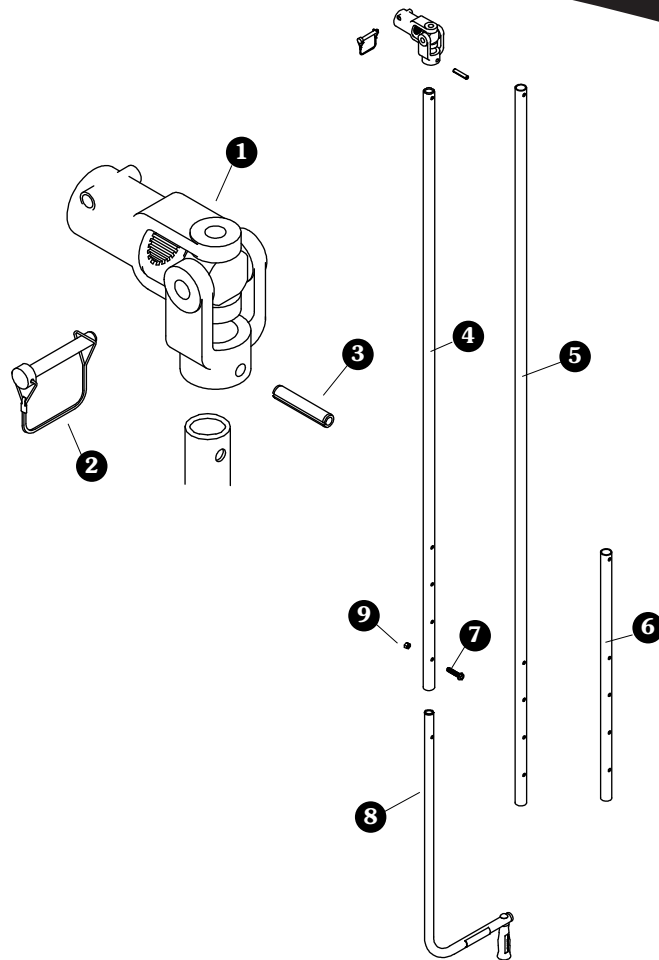
RIDGEPOLES

Item	Part #	Description
	1105310	Rollaway Ridgepole Hardware
1.	1701204	Ridgepole Tube - 16'
2.	1701205	Ridgepole Tube - 20'
3.	1701206	Ridgepole Tube - 24'
4.	1700212	Protective Cap
5.	1704768	Self-Drilling Screw - 1/4" x 3/4"
6.	1700474	Drive Rivet - 1/4"



CRANK ARMS - STANDARD

Item	Part #	Description
	1100816	Standard Shur-Lok® Crank Arm Kit
	1100813	Long Shur-Lok® Crank Arm Kit
	1100812	Short Shur-Lok® Crank Arm Kit
1.	1701243	Splined U-Joint
2.	1700526	Wire Lock Pin
3.	1700443	Spring Pin - 3/8" x 2"
4.	1100028	Crank Extension - 80"
5.	1106449	Crank Extension - 96"
6.	1100687	Crank Extension - 33"
7.	1700369	Cap Screw - 3/8" x 1 3/4"
8.	1100171	Standard Crank Arm - 24"
	1100069	Long Crank Arm - 60"
	1115524	Stainless Std. Crank Arm - 24"
9.	1700418	Centerlock Nut - 3/8"



CRANKS - SHUR-FLEX™

Item	Part #	Description
	1101931	Shur-Flex™ Crank Arm Kit - 40" Upper Extension
	1107918	Shur-Flex™ Crank Arm Kit - 54" Upper Extension
	1105176	Shur-Flex™ Crank Arm Kit - 96" Upper Extension
	1102782	Shur-Flex™ Universal Crank Arm Kit - 96" Extension
1.	1701243	Splined U-Joint
2.	1700526	Wire Lock Pin
3.	1101924	Lock Tube - 5 1/2"
4.	1700443	Spring Pin - 3/8" x 2"
5.	1105001	Shur-Flex™ Upper Crank Extension - 40"
	1105050	Shur-Flex™ Upper Crank Extension - 54"
	1105049	Shur-Flex™ Upper Crank Extension - 96"
6.	1100028	Crank Extension - 80"
7.	1701118	Spring Pin - 1/4" x 1 3/16"
8.	1101921	Male Knuckle
9.	1102691	Lower Extension - 20"
10.	1700369	Cap Screw - 3/8" x 1 3/4"
11.	1700418	Centerlock Nut - 3/8"
12.	1100171	Standard Crank Arm - 24"

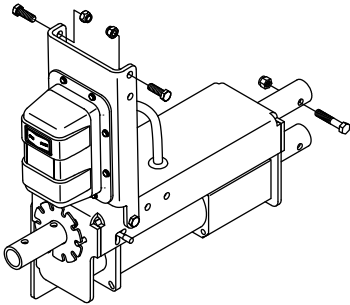
Options & Upgrades

ELECTRIC OPTIONS

Ask about our electric options. Shorten your load/unload time while increasing your driving time and safety. Operate your system from inside the cab.

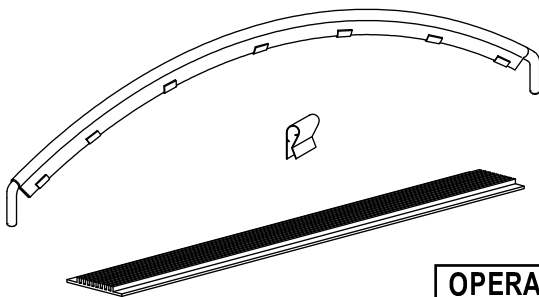
PROTRAP® HOPPER DOOR OPENER

The cleaner, faster way to unload grain! Hopper doors open while the operator stands back out of the dust. When the grain is unloaded, another push of the button closes the hopper and you're ready to go.



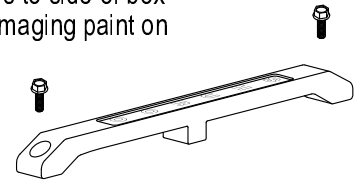
BOW COVER

Vinyl-coated bow covers wrap around bows to reduce tarp wear and grain splatter, prevent rust and reduce "black mark transfer."



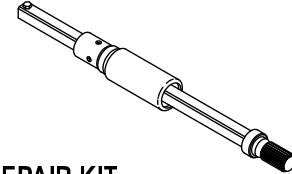
ROLL TUBE DEFLECTOR

Fasten roll tube deflectors to side of box to keep roll tube from damaging paint on sides of trailer.



WIL-SLIP™ JOINT

Pull-out crank assembly bypasses hinges and rear doors. Ideal for open-top vans, Convertahoppers, belted floor trailers and "barn door" trailers.



PROFESSIONAL TARP REPAIR KIT

Repair your tarp using the heat seal method. No messy adhesives or solvents. Kit includes Wagner heat gun, scissors, roller, 12' of 18-oz. or 22-oz. tarp (specify color) and instructions.



STANDARD TARP REPAIR KIT

Shur-Co's standard tarp repair kit includes adhesive, cleaner, 10' of tarp (specify color) and instructions.



TARP OPTIONS

22-oz. heavy-duty fabric, multicolored tarps, personalized tarps, reinforcements, extra length or width, 13 vibrant colors available.

OPERATION & MAINTENANCE

Maintenance Schedule

Every 2-4 weeks:

1. Inspect tarp - repair any tears, cuts or worn areas.
2. Inspect hardware - securely tighten any loose fasteners.

Operating Instructions

To uncover load:

1. Release crank from crank retainer.
2. Turn crank clockwise (counter-clockwise for reverse roll) until tarp has rolled up against tarp stops.
3. Place crank back into crank retainer.

To cover load:

1. Release crank from crank retainer.
2. Turn crank counter-clockwise (clockwise for reverse roll) until tarp is unrolled over edge of trailer.
3. Continue cranking to roll tarp up under latchplate.
4. Bring crank arm down to a vertical position.
5. Swing crank arm up and place into crank retainer.

Close cover at all times, except when loading or unloading, to extend the life of your Shur-Lok® system.

Open cover while unloading box. Unloading box with cover closed will create a vacuum which could cause system damage.

OPERATING SAFETY INSTRUCTIONS

1. Keep body and clothing clear of moving parts.
2. Hold crank firmly with both hands while opening and closing tarp.
3. Keep 40 to 60 lb. of tension in crank retainer or excessive tarp wear may occur.
4. Secure U-joint on crank arm to splined shaft on roll tube with wire lock pin before opening or closing tarp.
5. Do not drive vehicle at highway speeds with tarp open.

MORE QUALITY PRODUCTS FROM SHUR-CO®

- **Genuine Replacement Tarps**
- **Genuine Replacement Parts**

- **Agriculture Products**
 - Value Series Shur-Lok®
 - Super Duty Shur-Lok®
 - Shur-Lok® Junior
 - Premium Belt 'n Ratchet
 - Cable-Lok™
 - Turning Point™ Bow

- **SMARTrailer™ Accessories for Agriculture Products**
 - SMART2™ Remote
 - SMART1 +™ Remote
 - 4500 Series HD Electric
 - AutoTrap™ Hopper Opener
 - ProTrap® Hopper Opener
 - LiteALL™ Work Lights
 - Cable-Lok™ Electric Upgrade
 - Electric Turning Point™ Bow
 - Value Series Electric
 - Solar Power Pack

- **Flatbed Products**
 - ShurTite™ Retractable Tarps
 - Stock Lumber & Steel Tarps
 - Steel Tarps

- **Custom Products**
 - Fitted Truck Covers
 - Flat Utility Tarps
 - Bean Drill Covers
 - Shur-Lok® Tarp Cords

- **Construction Products**
 - Super Duty Shur-Lok®
 - Shur-Trak II™
 - Cover-Pro II®
 - Turning Point™ Bow
 - IronSide™ Side-Dump System
 - Arm-Matic™
 - DuraPull™
 - Econo-Pull™
 - Turbo Tarp2 DONOVAN BRAND
 - 2000 Series DONOVAN BRAND
 - 5000 Series DONOVAN BRAND
 - Hammer DONOVAN BRAND
 - Bullet DONOVAN BRAND
 - Flash DONOVAN BRAND
 - Long Arm DONOVAN BRAND

- **SMARTrailer™ Accessories for Construction Products**
 - 4500 Series HD Electric w/Gate Flex™
 - Shur-Trak II™ Electric Upgrade
 - Cover-Pro II® Electric Upgrade
 - Electric Turning Point™ Bow
 - Solar Power Pack

- **Waste Products DONOVAN BRAND**
 - The Ox™
 - Quick-Flip III
 - Sidewinder
 - Sidewinder 350
 - HyTower SL
 - HyTower DL
 - Double-Flip

TARPING SYSTEMS & ACCESSORIES

